

CLASSE 7 TWO GROUP Compact

TECHNICAL SPECIFICATIONS



SPACE REQUIREMENTS

Allow for 1.5" of clearance on all sides of the machine

Allow for 22" for in-line filter (filter can be mounted in any direction)

WATER REQUIREMENTS

Water entering espresso machine should have a water hardness level of 2-4 GPG at all times. If the water supply is not within this range a dedicated water filter is required for the espresso machine to operate correctly over time

Dedicated cold water access line with a standard female 3/8" NPT fitting and a manual shut-off valve (4ft from the machine)

Line pressure of water going to espresso machine should be between 30-90psi. If it is not consistently within this range please install a pressure regulator

DRAIN REQUIREMENTS

Open gravity drain with minimum 1 inch I.D., within 4 feet of machine

ELECTRICAL REQUIREMENTS

VOLTAGE: 110/200-250

WATTS: 2700/3000

AMPS: 30/20

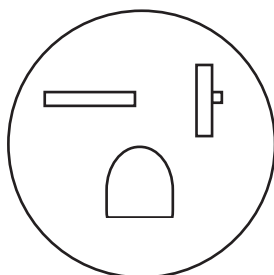
RECEPTACLE: NEMA L5-30R/ NEMA 6-20R

PLEASE NOTE: Rancilio coffee machines do not use a neutral line. A dedicated ground wire is required for proper performance.

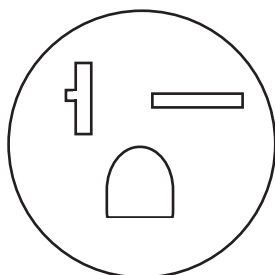
Receptacle for Espresso Machine

110v

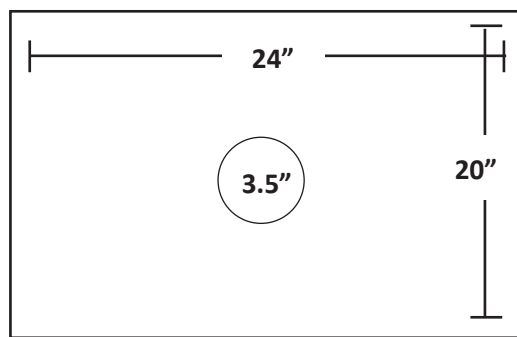
220v



5-20R



6-20R



(Front)

COUNTER-TOP REQUIREMENTS

Height: 21"

Depth: 20"

Width: 24"

Weight: 127 lbs

SHIPPING DIMENSIONS AND WEIGHT

Length: 35"

Width: 26"

Height: 29"

Weight: 164 lbs

