

EPOCA ONE GROUP

TECHNICAL SPECIFICATIONS



SPACE REQUIREMENTS

Allow for 1.5" of clearance on all sides of the machine

Allow for 22" for in-line filter (filter can be mounted in any direction)

WATER REQUIREMENTS

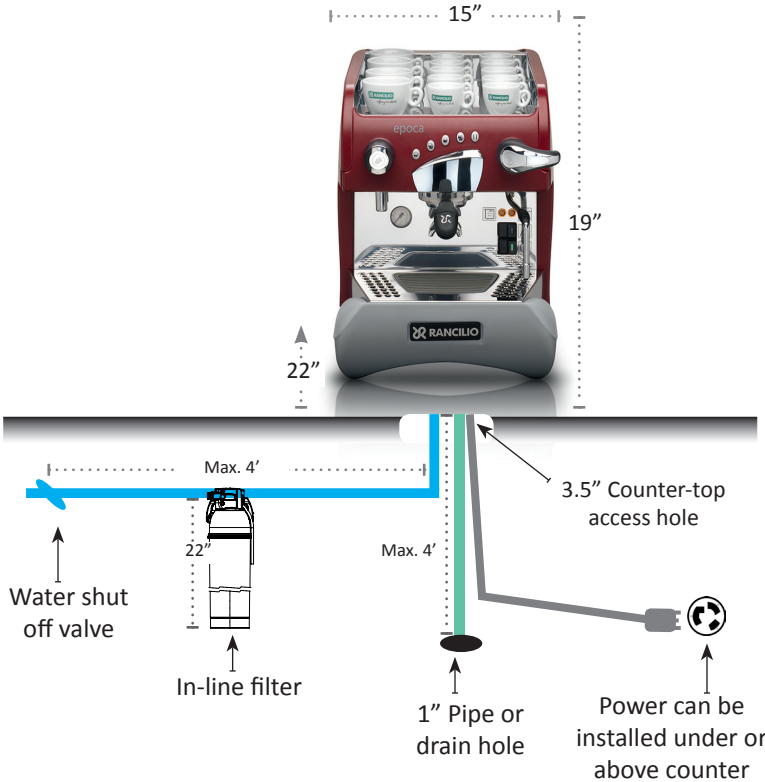
Water entering espresso machine should have a water hardness level of 2-4 GPG at all times. If the water supply is not within this range a dedicated water filter is required for the espresso machine to operate correctly over time

Dedicated cold water access line with a standard female 3/8" NPT fitting and a manual shut-off valve (4ft from the machine)

Line pressure of water going to espresso machine should be between 30-90psi. If it is not consistently within this range please install a pressure regulator

DRAIN REQUIREMENTS

Open gravity drain with minimum 1 inch I.D., within 4 feet of machine

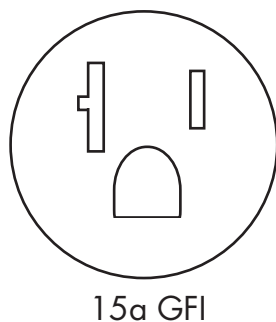


ELECTRICAL REQUIREMENTS

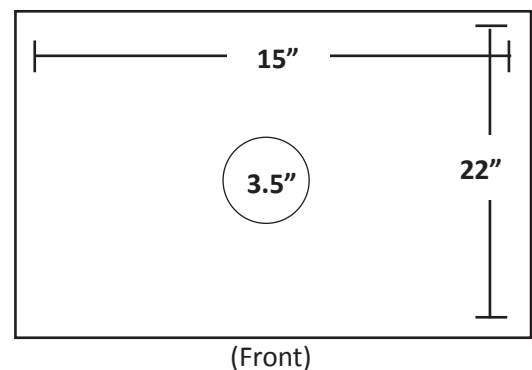
VOLTAGE: 110
WATTS: 1600
AMPS: 15
RECEPTACLE: 15a GFI

PLEASE NOTE: Rancilio coffee machines do not use a neutral line. A dedicated ground wire is required for proper performance.

Receptacle for Espresso Machine



COUNTER-TOP HOLE PLAN



COUNTER-TOP REQUIREMENTS

Height: 19" Depth: 22"
 Width: 15" Weight: 73 lbs

SHIPPING DIMENSIONS AND WEIGHT

Length: 35" Width: 26"
 Height: 29" Weight: 98 lbs