

# EPOCA TWO GROUP

## TECHNICAL SPECIFICATIONS



### SPACE REQUIREMENTS

Allow for 1.5" of clearance on all sides of the machine

Allow for 22" for in-line filter (filter can be mounted in any direction)

### WATER REQUIREMENTS

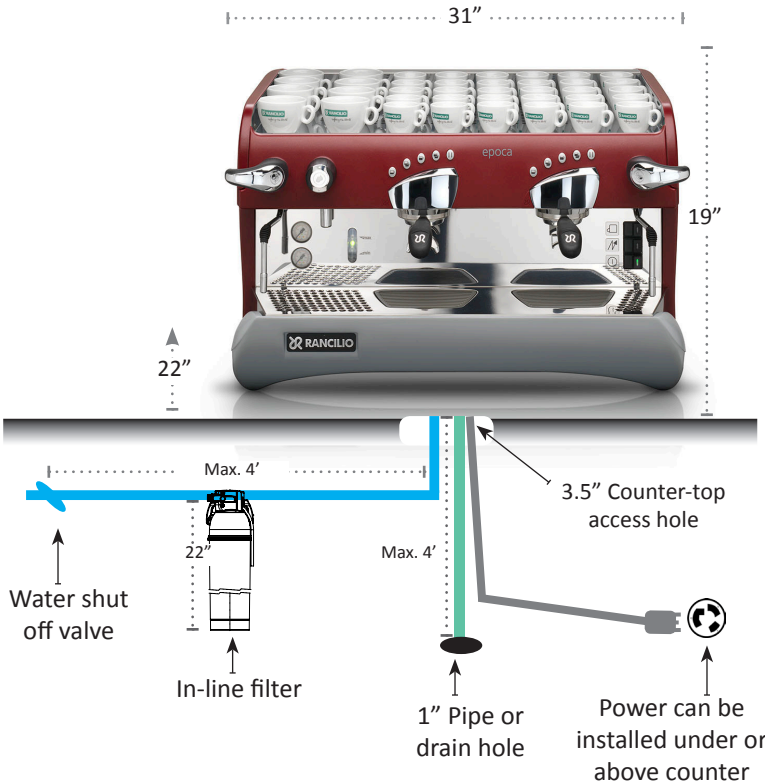
Water entering espresso machine should have a water hardness level of 2-4 GPG at all times. If the water supply is not within this range a dedicated water filter is required for the espresso machine to operate correctly over time

Dedicated cold water access line with a standard female 3/8" NPT fitting and a manual shut-off valve (4ft from the machine)

Line pressure of water going to espresso machine should be between 30-90psi. If it is not consistently within this range please install a pressure regulator

### DRAIN REQUIREMENTS

Open gravity drain with minimum 1 inch I.D., within 4 feet of machine



### ELECTRICAL REQUIREMENTS

**VOLTAGE:** 110/200-250

**WATTS:** 2700/4300

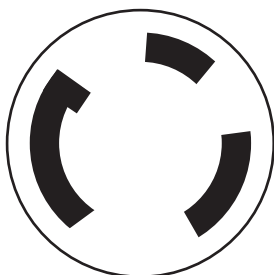
**AMPS:** 30/20

**RECEPTACLE:** NEMA L5-30R/NEMA 6-20R

**PLEASE NOTE:** Rancilio coffee machines do not use a neutral line. A dedicated ground wire is required for proper performance.

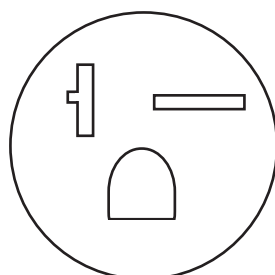
#### Receptacle for Espresso Machine

110v



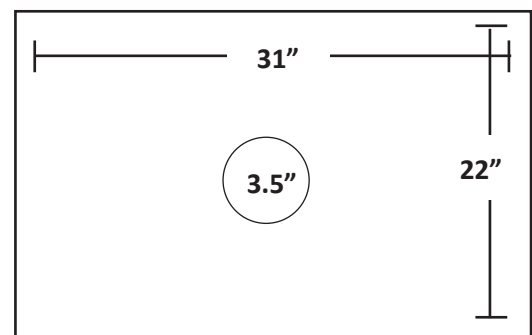
L5-30R

220v



6-20R

### COUNTER-TOP HOLE PLAN



(Front)

### COUNTER-TOP REQUIREMENTS

Height: 19"

Depth: 22"

Width: 31"

Weight: 124 lbs

### SHIPPING DIMENSIONS AND WEIGHT

Length: 35"

Width: 26"

Height: 29"

Weight: 152 lbs