

ONE Top Milk XP with Bev-Air Undercounter Fridge

High Volume Super Automatic Espresso Machine

The Egro ONE is a high volume fully automatic espresso machine with a touchscreen user interface. It features a stainless steel 18-gram patented brew group with advanced sealing technology. This makes the brew group the most durable in its class, reduces maintenance needs, and lowers the cost of ownership. The ONE uses dual Ditting® grinders with stainless steel burrs for quick and consistent grinding. The body of the machine features stainless steel and ABS plastic construction. Beverage Air undercounter refrigerators offer high volume milk storage capacity.



Standard Features

- Standard 5.7" full-color touchscreen graphical user interface enables up to 48 drink selections
- Single milk pump system
- Automatic milk frothing and delivery with a push of a button
- Set different milk temperatures and textures for each drink
- Americano bypass enables machine to deliver authentic Americanos into a single cup
- Centralized hot water
- USB port makes it simple to save drink parameters and facilitates software and programming updates
- Requires only 12" of counter space
- Stainless steel 18-gram patented brewing
- Dual grinders by Ditting™
- Single component two-piece dispensing outlet for easy cleaning
- Daily milk cleaning cycle only requires the operator to add detergent
- 2-year parts warranty

Accessories in the Box

- Plastic grounds bin container
- One-month supply of daily cleaning products
- Milk container
- Container for daily cleaning
- User manual
- Foot extensions

Options

iSteam: Intelligent steam wand automatically froths or steams milk, and shuts off at programmed temperature

Self-Adjusting Grinder: Automatically adjusts the coffee grind size to compensate for environmental changes

External Hot Water Outlet: Hot water delivered through a separate outlet to the right of the drink spout

Self-Service Package: Includes locks for hopper and grounds drawer, as well as cup stopper pins for the drink tray

Powder Module: Enables machine to deliver up to 2 types of powder, such as chocolate for mochas and for hot chocolate

Space Requirements

Allow at least one and a half inches (1.5") of clearance from the back of the machine to the nearest wall for air circulation.

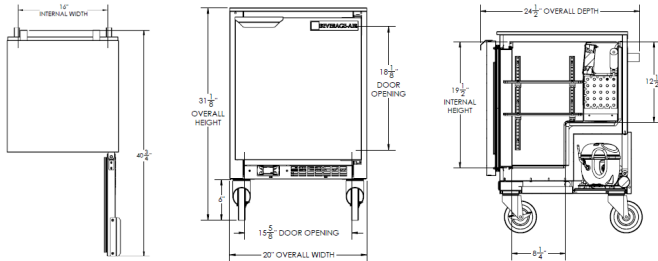
Allow at least four inches (4") of clearance above hoppers to refill. (recommended 12")

Allow 24" x 5" for in-line filter. Filter can be mounted behind the machine or under the counter.

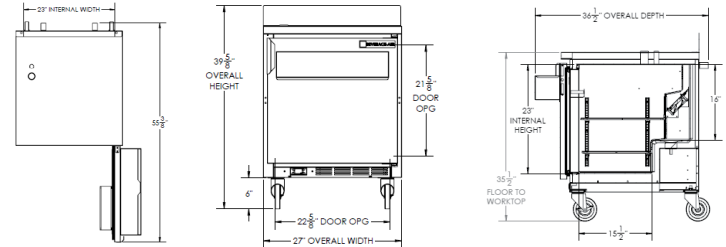
ONE Top Milk XP with Bev-Air Undercounter Fridge

High Volume Super Automatic Espresso Machine

Beverage Air UCR20HC



Beverage Air WTR27AHC-SR



Beverage Air refrigerators feature stainless steel front, top, sides, and doors. The interior liner is made from corrosion resistant aluminum and includes a built-in thermometer. Doors are self-closing with a 120° stay-open feature with cartridge style hinges. Two epoxy-coated steel wire shelves are standard. The refrigeration system uses R290 refrigerant to comply with all environmental concerns. Evaporator is automatic and non-electric with an epoxy coated evaporator coil. Refrigerators come specially pre-drilled for complete compatibility with Egro machines. Beverage Air UCR20HC undercounter fridge can accommodate 2 gallons of milk and fits under most countertops. Beverage Air WTR27AHC-SR can also fit undercounter or can function as a workstation with machine directly on top. It also includes a removable 4" backsplash and a speed rail for added convenience.

Undercounter Requirements

UCR20HC with 6" casters

Width	Depth	Height	Weight
21"	24.5"	31.2"	110 lbs

Depth with door at 90°: 40.75"

WTR27AHC-SR with 6" casters

Width	Depth	Height	Weight
27"	36.5"	39.63"	160 lbs

Depth with door at 90°: 55.63"

Shipping Dimensions and Weight (estimated)

UCR20HC

Width	Depth	Height	Weight
23"	26"	35"	120lbs

WTR27AHC-SR

Width	Depth	Height	Weight
30"	33"	35"	172lbs

Electrical Connections

Beverage Air UCR20HC/ WTR27AHC-SR

Voltage Range: 110-120VAC

Power: 200W

Circuit Size: 15A

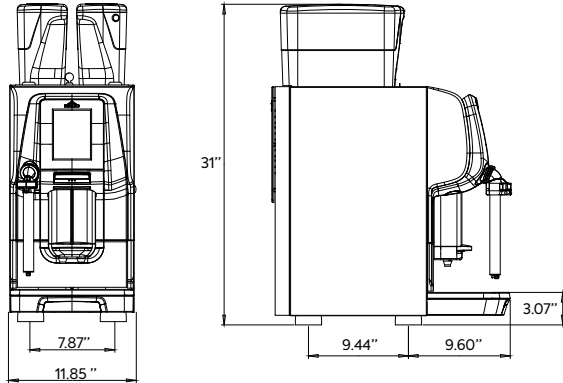
Suggest Receptacle: 5-15R GFI

Standard Features

- Stainless steel front, sides, and top
- Galvanized steel back and bottom
- Interior thermometer
- Aluminum door handle
- Two adjustable interior steel wire epoxy coated shelves
- R290 refrigerant metered by a capillary tube system
- 8 feet long cord and plug set included
- 6" casters, two with brakes standard

ONE Top Milk XP with Bev-Air Undercounter Fridge

High Volume Super Automatic Espresso Machine



Countertop Requirements

Espresso Machine

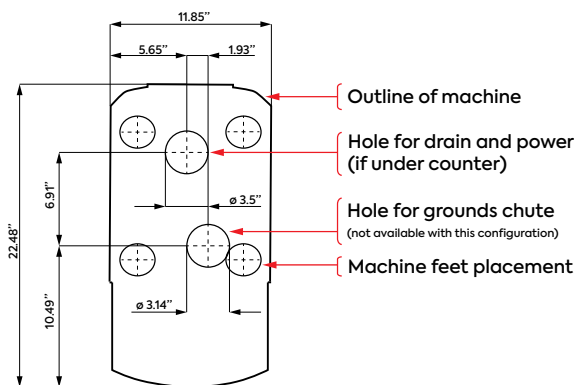
Width	Depth	Height	Weight
12"	23"	31"	126 lbs

Shipping Dimensions and Weight

Espresso Machine

Length	Width	Height	Weight
36"	36"	33"	155 lbs

Countertop Drilling Plan



note: Beverage Air refrigerators come specially modified with pre-drilled holes for milk access lines on top of the unit. Egro machines with Beverage Air refrigerators are not available with the Under Counter Grounds Chute.

Electrical Connections

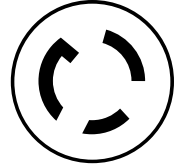
Espresso Machine

Voltage Range: 208-240VAC

Power: 6000W

Circuit Size: 30A

Suggest Receptacle: NEMA L6-30R



NOTE: Egro machines do not use a neutral line. A dedicated ground wire is required.

Power can be installed under or above the counter. Please allow 3.5"-4" of space for the plug, especially when placing power above the counter and behind the machine.

Water Connections

Dedicated cold water access line with standard female 3/8" NPT fitting and manual shut-off valve within 4' of the machine required.

Drain Requirements

Open gravity drain with minimum 2" I.D. within 4' of the machine.

Water Quality Statement

The fact that water is potable is no guarantee that it is suitable for coffee machines. Your water supply must be within these general guidelines:

SUPPLY PRESSURE: 30-70 psi

HARDNESS: 2-3 GPG (1 grain of hardness = 17.1 ppm)

Water entering the machine should have a water hardness level of 2-3 GPG at all times. If the water supply is not within this range, a dedicated water softener (if above 3 GPG) or mineral addition cartridge (if below 2 GPG) is required for the coffee machine to operate properly over time (see Rancilio Group North America Water Quality Statement for further details).

Ditting is a registered trademark of Ditting Maschinen AG.

