

Touch Coffee: 4 Hopper

High Volume Super Automatic Coffee Machine

The Touch Coffee is an app-controlled coffee machine that enables state-of-the-art features and on-screen controls with open source software. A 10" high resolution integrated tablet let users create coffee drinks with a simple tap on the screen.

The Touch Coffee is equipped with a self-adjusting grinding system that makes precise adjustments to the grind setting for consistent taste and volume in each cup, on each machine, and at each location. In addition to the 4 bean hoppers, the Touch Coffee can blend between hoppers for an even wider variety of coffee offerings. Each cup is made fresh on demand, eliminating coffee waste. The high-capacity 25-gram stainless steel brew chamber (BC22) allows extra-large coffee drinks to be prepared in a single brew cycle.

On-screen info cards can be set to display coffee details, nutritional information, or even advertising videos while the drinks are pouring. The Touch Coffee boasts the lowest cost of ownership in its class, requiring on average only 1 preventative maintenance visit per year. It is constructed with quality components that are designed to last, even in high-volume locations.



Standard Features

- 4 bean hoppers with 2.2lbs capacity each
- Requires only 12" of counter space
- Super automatic with an app-controlled 10" user interface powered by Android
- Self-adjusting Ditting® grinding system that automatically adjusts the coffee grind size to compensate for environmental changes
- Easy-to-format and load on-screen video advertising
- Patented brewing technology for premium quality coffee in every cup
- Automatic Spout+ that automatically adjusts the delivery spout to the correct cup size
- Blend coffee between hoppers for unique house blends
- Low cost of ownership
- Stainless steel 25-gram patented brewing technology (BC22)
- Made of stainless steel and ABS plastic
- Easy 5 minute automatic daily cleaning program
- 2-year parts warranty

Options

Cool Coffee Module: Rapidly cools coffee after brewing for the best quality iced beverages

Under Counter Grounds Chute: Chute that diverts ground coffee to under the counter waste container

Self-Service Package: Includes locks for hopper, grounds drawer, and fridge, as well as cup stopper pins for the drink tray

Accessories in the Box

- Plastic grounds bin container
- One-month supply of daily cleaning products
- User manual
- Foot extensions

Space Requirements

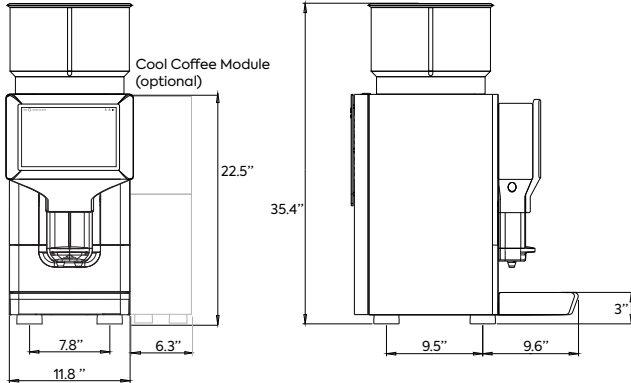
Allow at least one and a half inches (1.5") of clearance from the back of the machine to the nearest wall for air circulation.

Allow at least four inches (4") of clearance above hoppers to refill. (recommended 12")

Allow 24" x 5" for in-line filter. Filter can be mounted behind the machine or under the counter.

Touch Coffee: 4 Hopper

High Volume Super Automatic Coffee Machine



Countertop Requirements

Coffee Machine

Width	Depth	Height	Weight
11.8"	22.8"	35.4"	132.2 lbs

Coffee Machine w/ Cool Coffee Module

Width	Depth	Height	Weight
18.5"	22.8"	35.4"	154 lbs

Shipping Dimensions and Weight (est.)

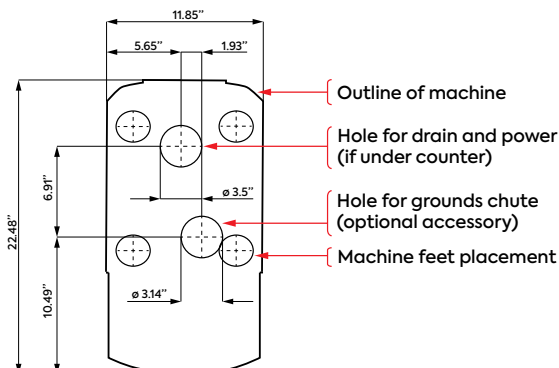
Coffee Machine

Length	Width	Height	Weight
36"	36"	43"	168 lbs

Coffee Machine w/ Cool Coffee Module

Length	Width	Height	Weight
36"	36"	43"	217 lbs

Countertop Drilling Plan



Electrical Connections

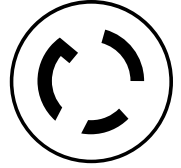
Coffee Machine

Voltage Range: 208-240 VAC

Power: 3100W

Circuit Size: 20A

Suggested Receptacle: NEMA L6-20R



Cool Coffee (optional)

Power: The Touch Coffee machine provides power to the Cool Coffee.

NOTE: Egro machines do not use a neutral line. A dedicated ground wire is required.

Power can be installed under or above the counter. Please allow 3.5"-4" of space for the plug, especially when placing power above the counter and behind the machine.

Water Connections

Dedicated cold water access line with standard female 3/8" NPT fitting and manual shut-off valve within 4' of the machine required.

Drain Requirements

Open gravity drain with minimum 2" I.D. within 4' of the machine.

Water Quality Statement

The fact that water is potable is no guarantee that it is suitable for coffee machines. Your water supply must be within these general guidelines:

SUPPLY PRESSURE: 30-70 psi

HARDNESS: 2-3 GPG (1 grain of hardness = 17.1 ppm)

Water entering the machine should have a water hardness level of 2-3 GPG at all times. If the water supply is not within this range, a dedicated water softener (if above 3 GPG) or mineral addition cartridge (if below 2 GPG) is required for the coffee machine to operate properly over time (see Rancilio Group North America Water Quality Statement for further details).

Android is a registered trademark of Google LLC.

Ditting is a registered trademark of Ditting Maschinen AG.

