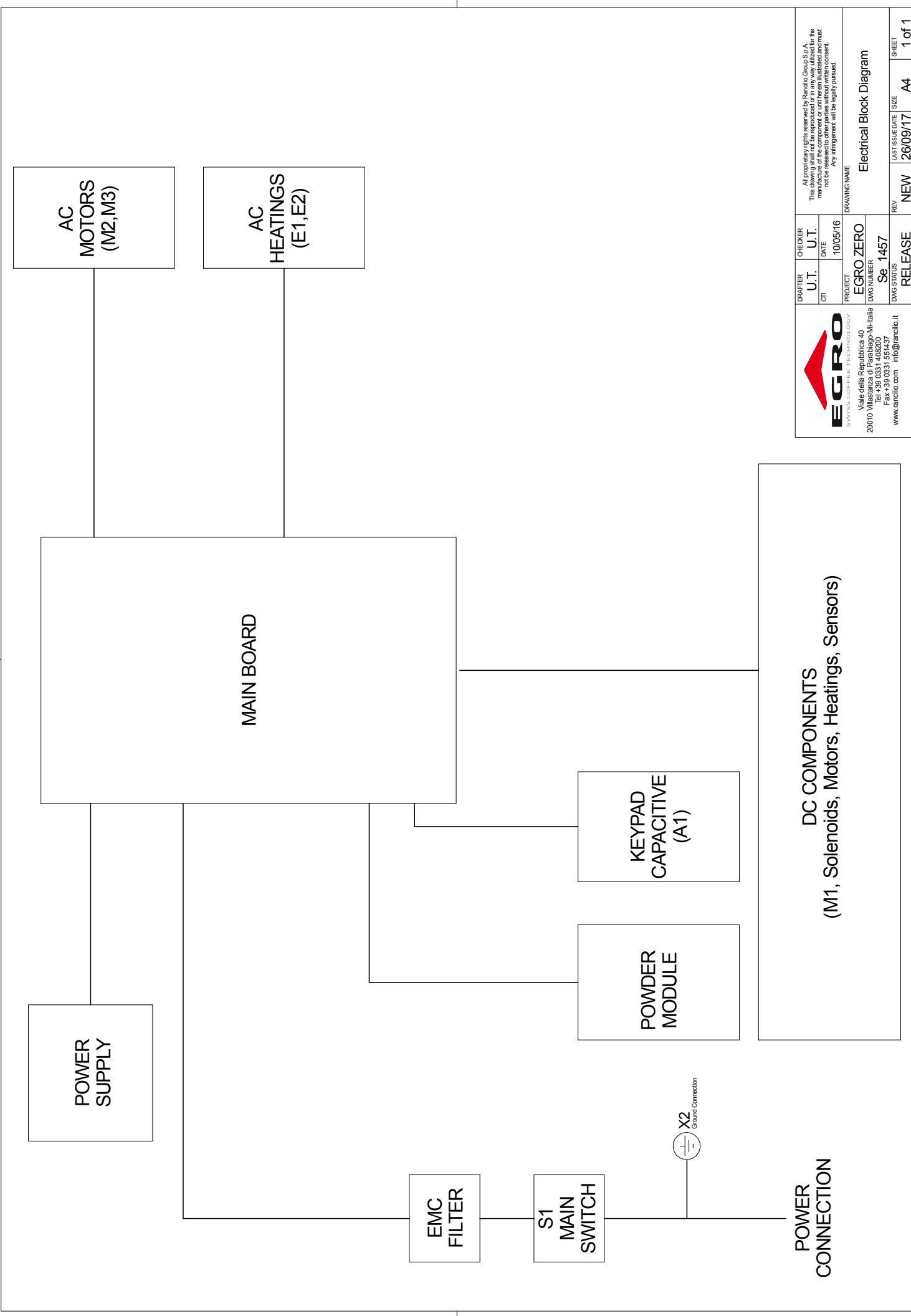




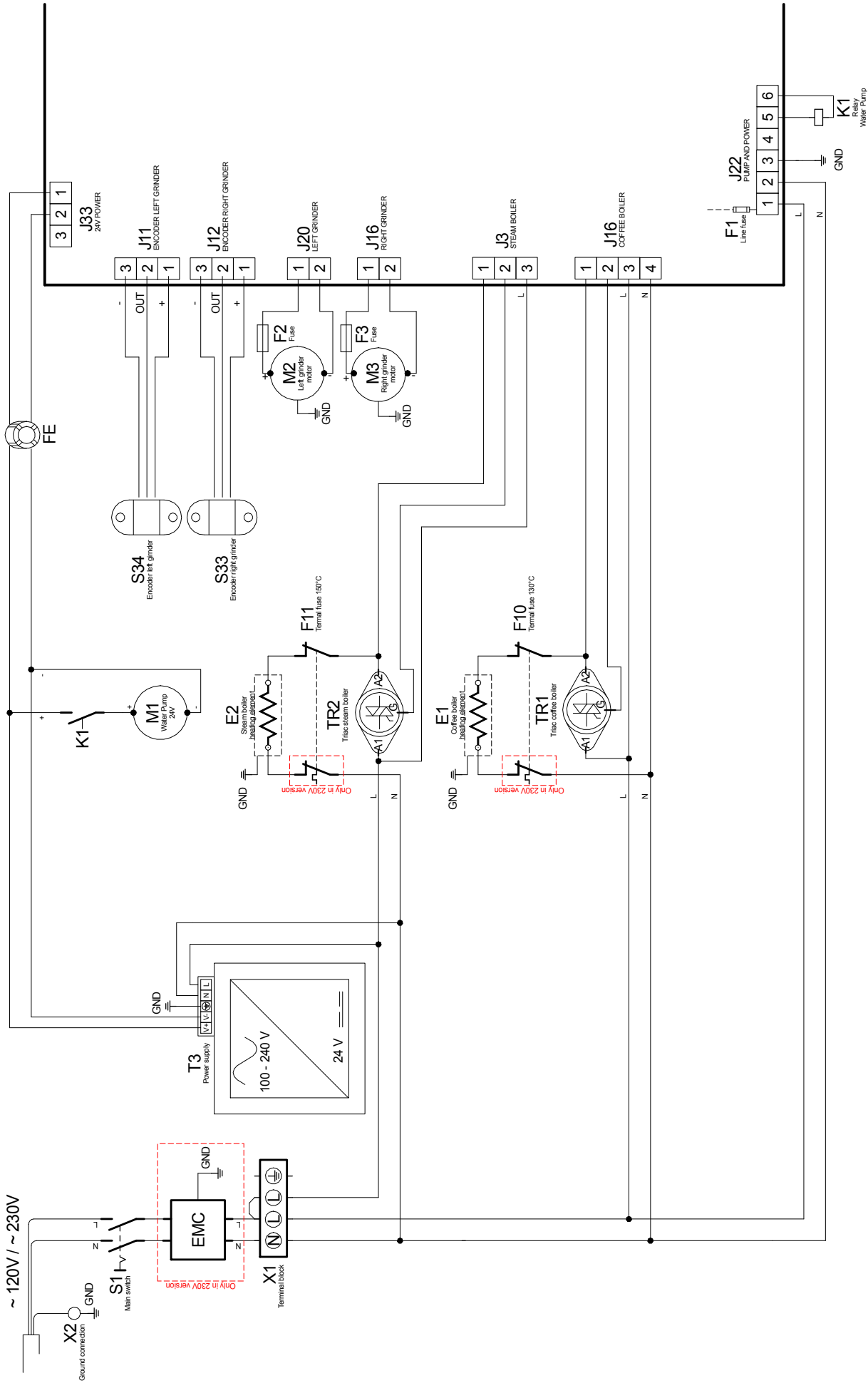
**for more information / User manual**  
*für zusätzliche Informationen / Bedienungsanleitung*  
*Informations supplémentaires / Mode d'emploi*


**[www.ranciliogroup.com](http://www.ranciliogroup.com)**

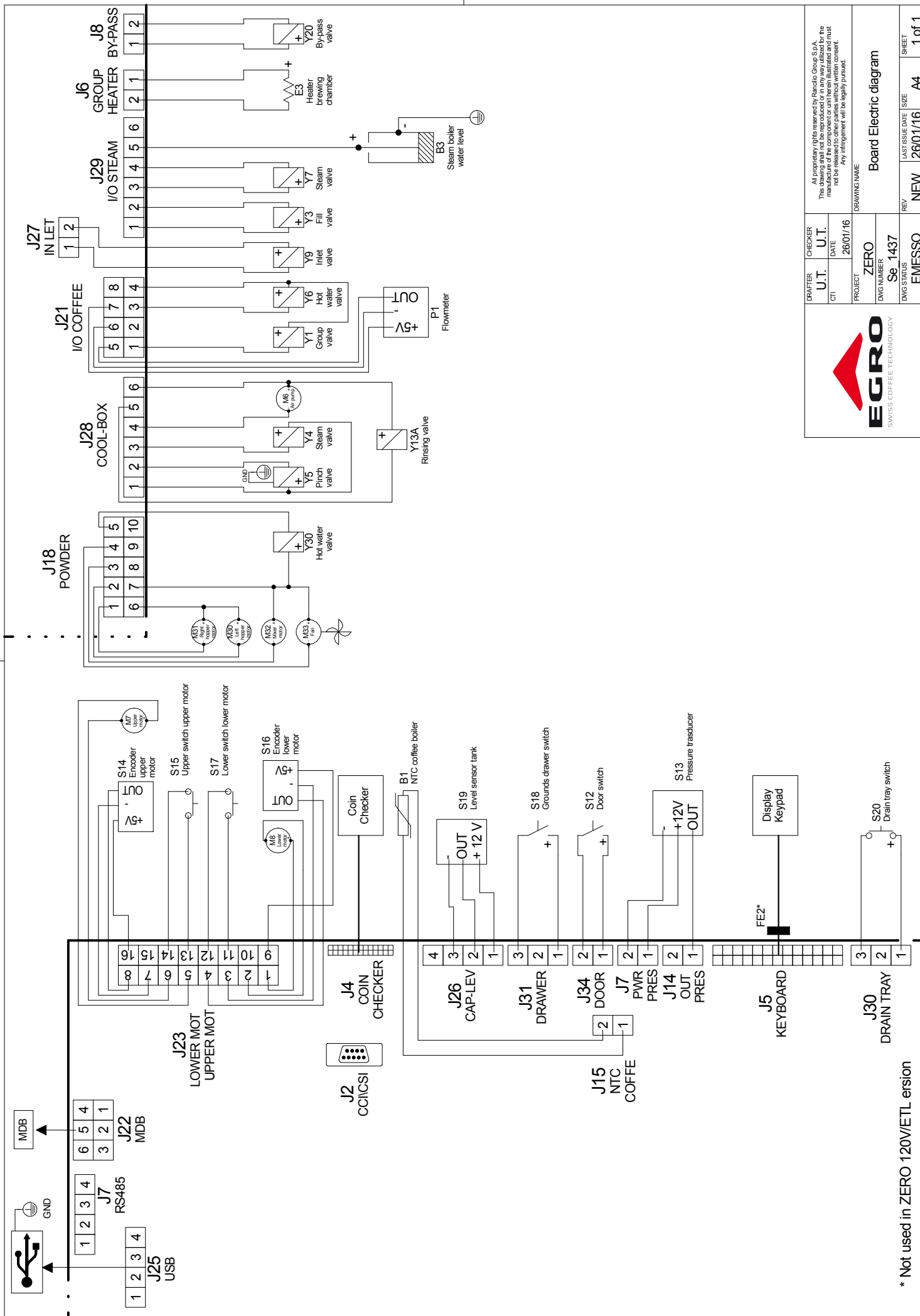




 <b>EGRO</b> SWISS COFFEE TECHNOLOGY Viale della Repubblica 40 Villastara di Paratizzo, Alghero Tel +39 0331 408200 Fax +39 0331 551437 www.rancilio.com info@rancilio.it		All proprietary rights reserved by Rancilio Group S.p.A. This drawing is the property of Rancilio Group S.p.A. and its manufacture of the component or unit herein illustrated and must not be released to other parties without written consent. Any infringement will be legally pursued.	
DRAFTER	CHECKER	DRAWING NAME	
U.T.	U.T.	Electrical Block Diagram	
CTI	DATE	PROJECT	REV
	10/05/16	EGRO ZERO	NEW
		DWG NUMBER	LAST ISSUE DATE
		Se. 1457	26/09/17
		DWG STATUS	SIZE
		RELEASE	A4
			SHEET
			1 of 1

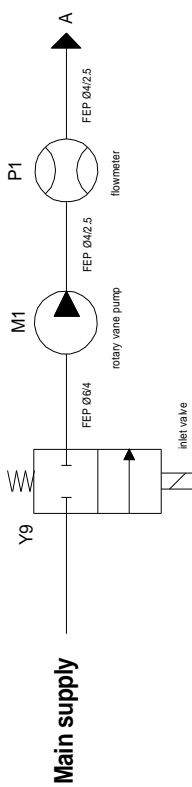


 <b>EGRO</b> SWISS COFFEE TECHNOLOGY		All proprietary rights reserved by Fincati Group S.p.A. This is a confidential document. The reproduction or the manufacture of the component or unit here indicated and must not be released to other parties without written consent. Any infringement will be legally pursued.	
DRAWING NAME	Electric diagram Power		
DRAFTER	CHECKER	DATE	PROJECT
U.T.	U.T.	27/03/14	ZERO
CTI	DATE		DWG NUMBER
			Se 1395
REV	AB	LAST ISSUE DATE	SIZE
RELEASE		26/09/17	A4
			SHEET
			1 of 1

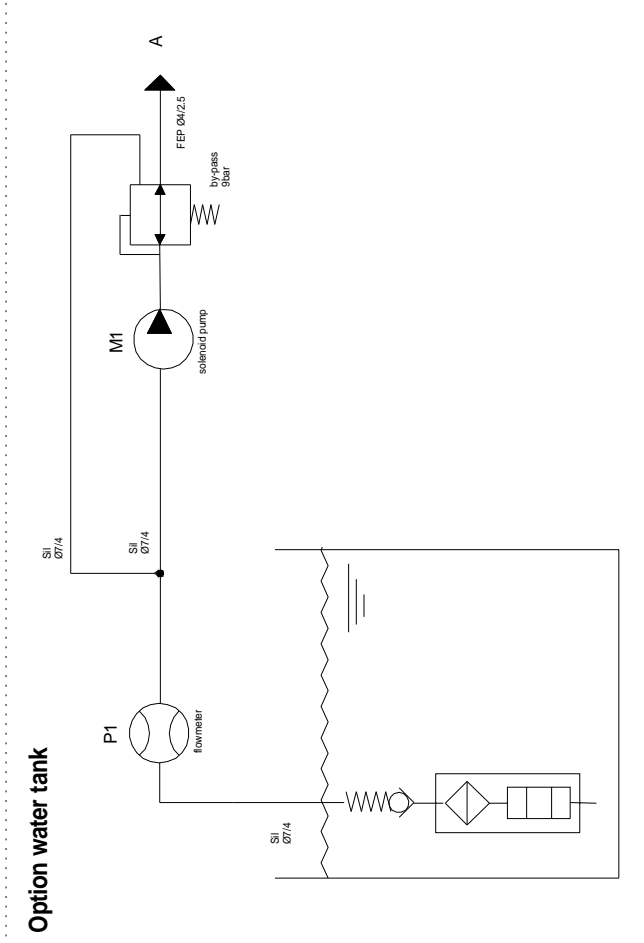


		All proprietary rights reserved by Fincio Group S.p.A. This document is the property of Fincio Group S.p.A. and its manufacture of the component or unit herein illustrated and must not be released to other parties without written consent. Any infringement will be legally pursued.	
DRAWING NAME	Board Electric diagram		
DRAFTER	CHECKER	DATE	PROJECT
U.T.	U.T.	26/01/16	ZERO
CTI			DWG NUMBER
			Se 1437
			DWG STATUS
			EMESSO
REV	NEW	LAST ISSUE DATE	SIZE
		26/01/16	A4
			SHEET
			1 of 1

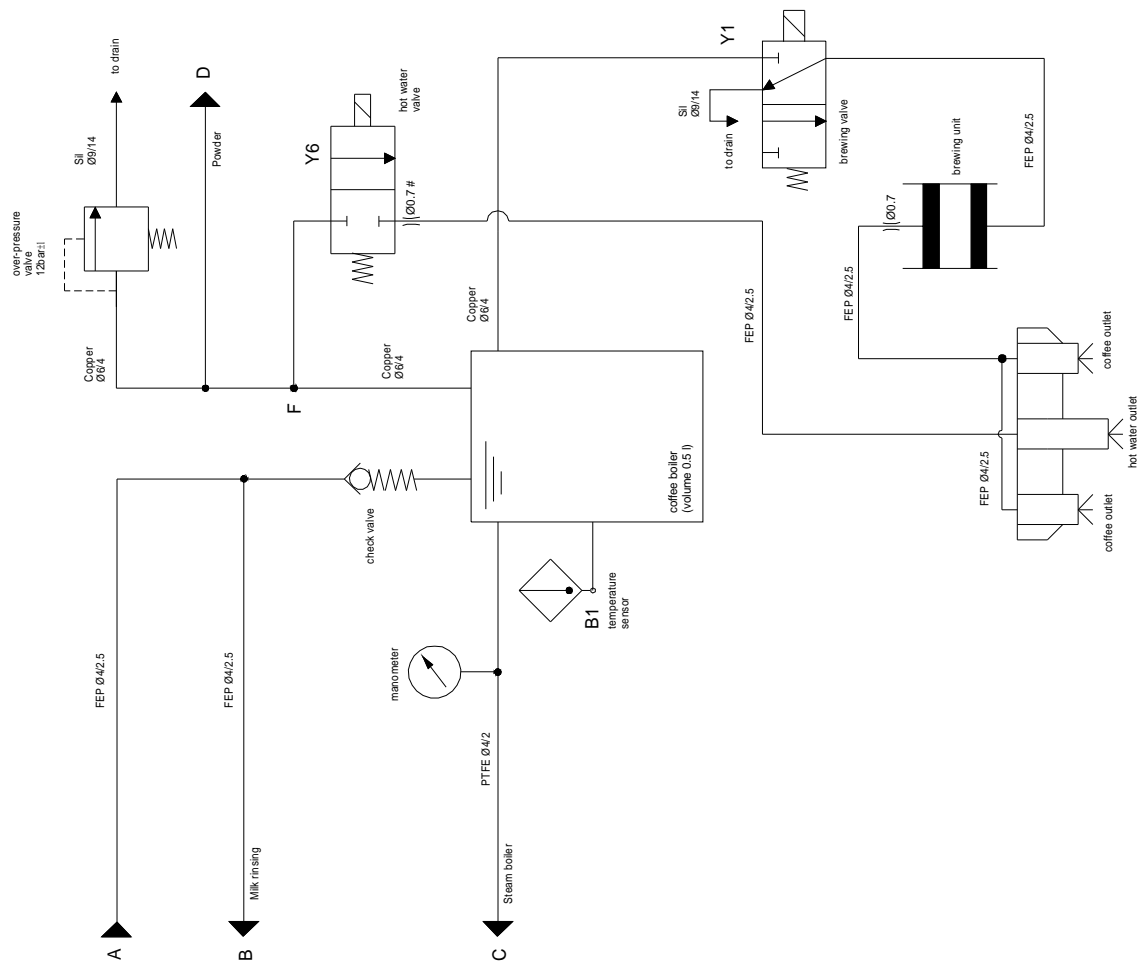
\* Not used in ZERO 120V/ETL version



**Main supply**



**Option water tank**



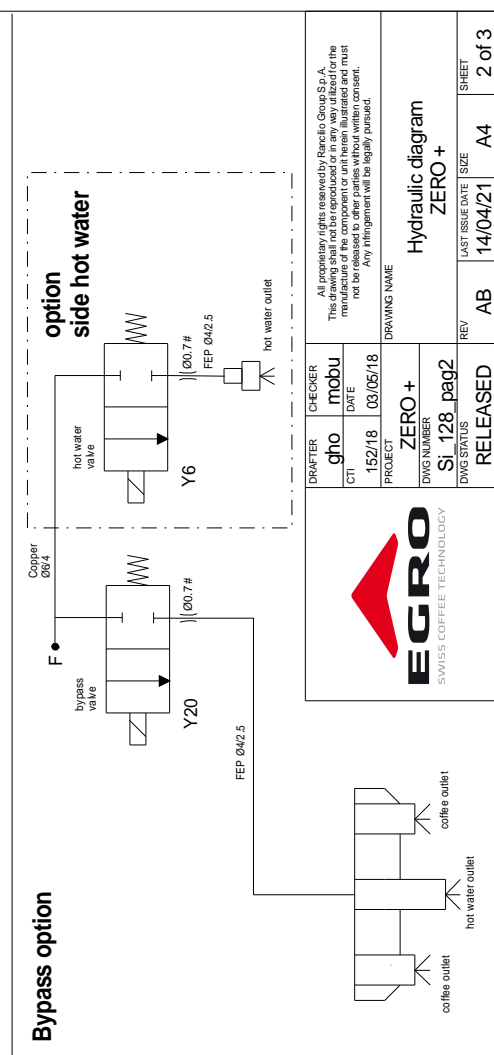
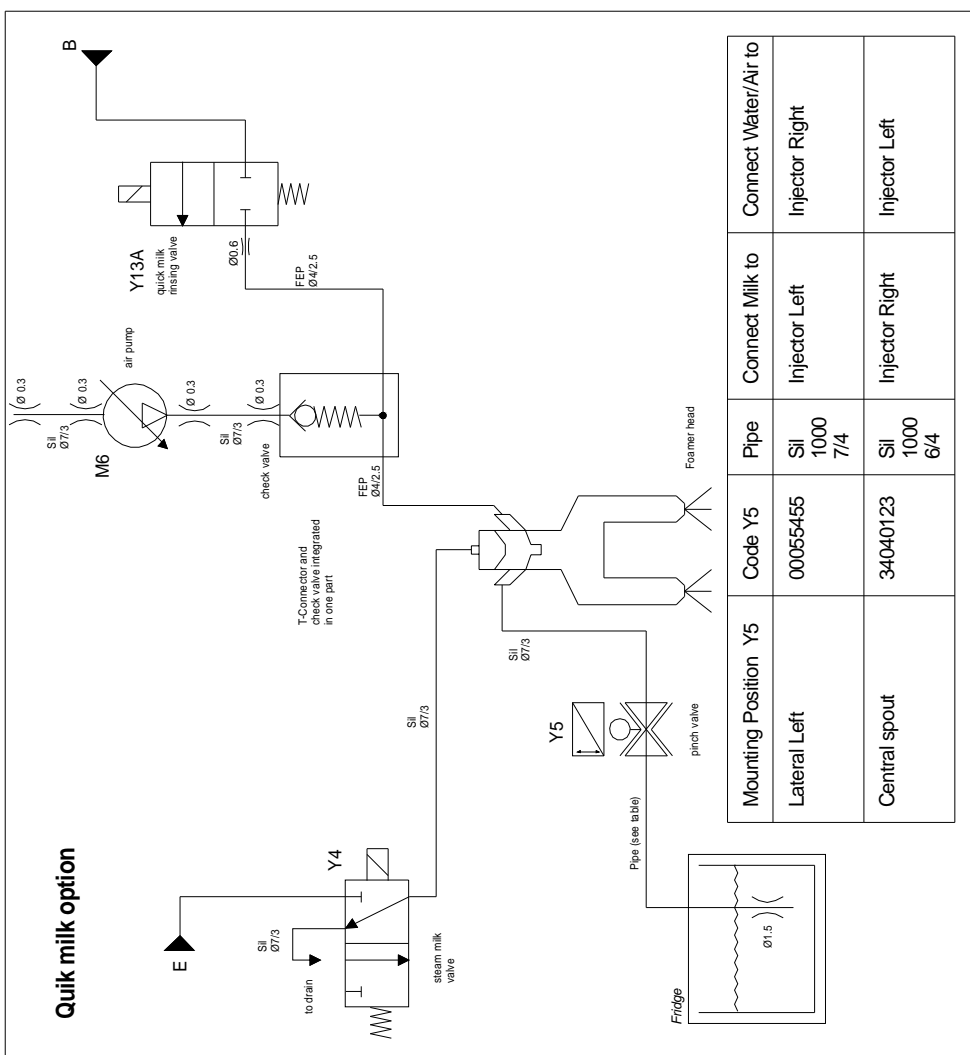
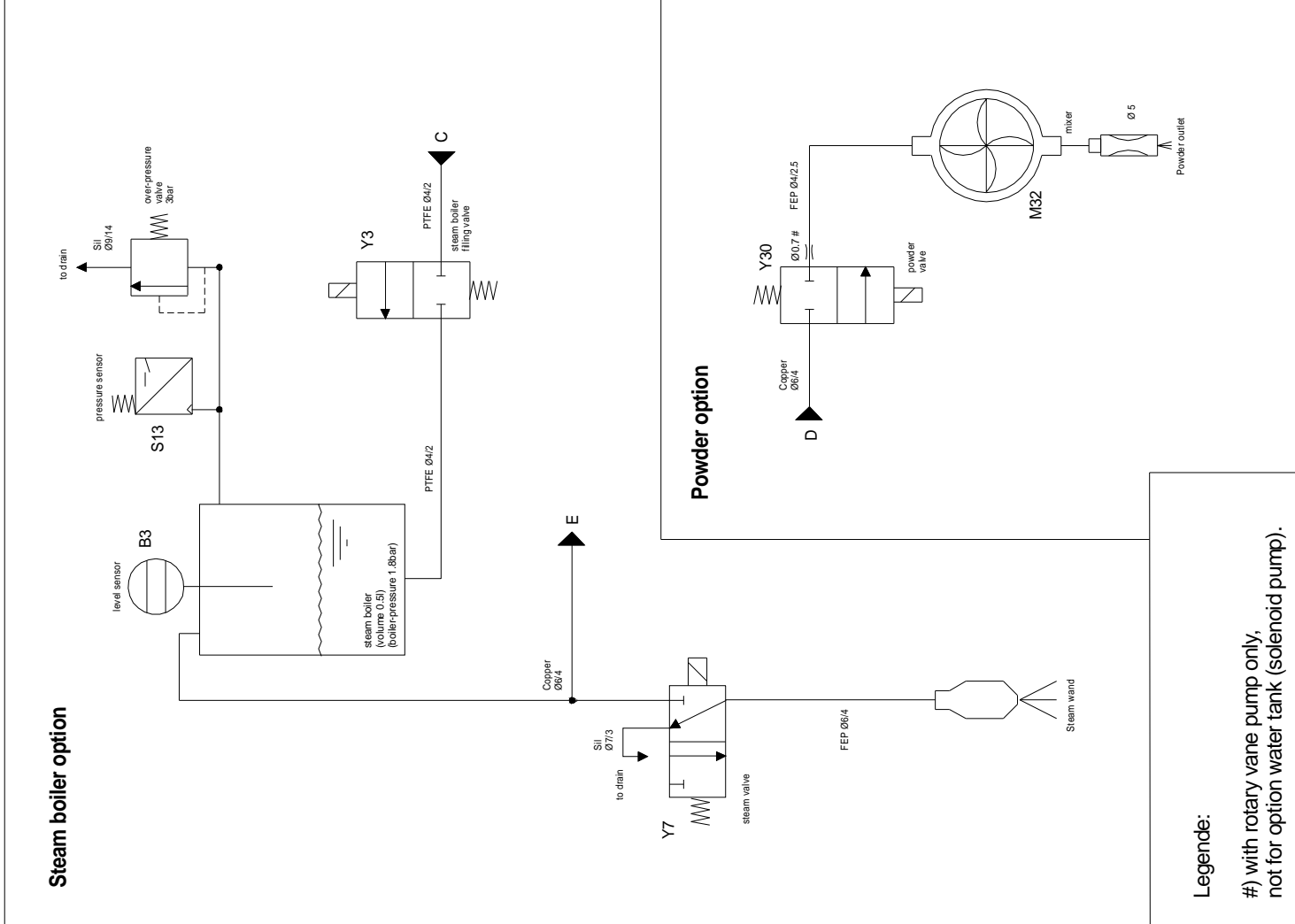
Legende:

#) with rotary vane pump only,  
not for option water tank (solenoid pump).



DRAFTER	gho	CHECKER	mobu	DRAWING NAME	
DATE	15/2/18	DATE	03/05/18	Hydraulic diagram	
PROJECT	ZERO +	PROJECT	ZERO +	ZERO +	
DWG NUMBER	Si_128 pag1	DWG NUMBER	Si_128 pag1	ZERO +	
REV	AB	REV	AB	LAST ISSUE DATE	
SIZE	A4	SIZE	A4	SHEET	
			1 of 3		

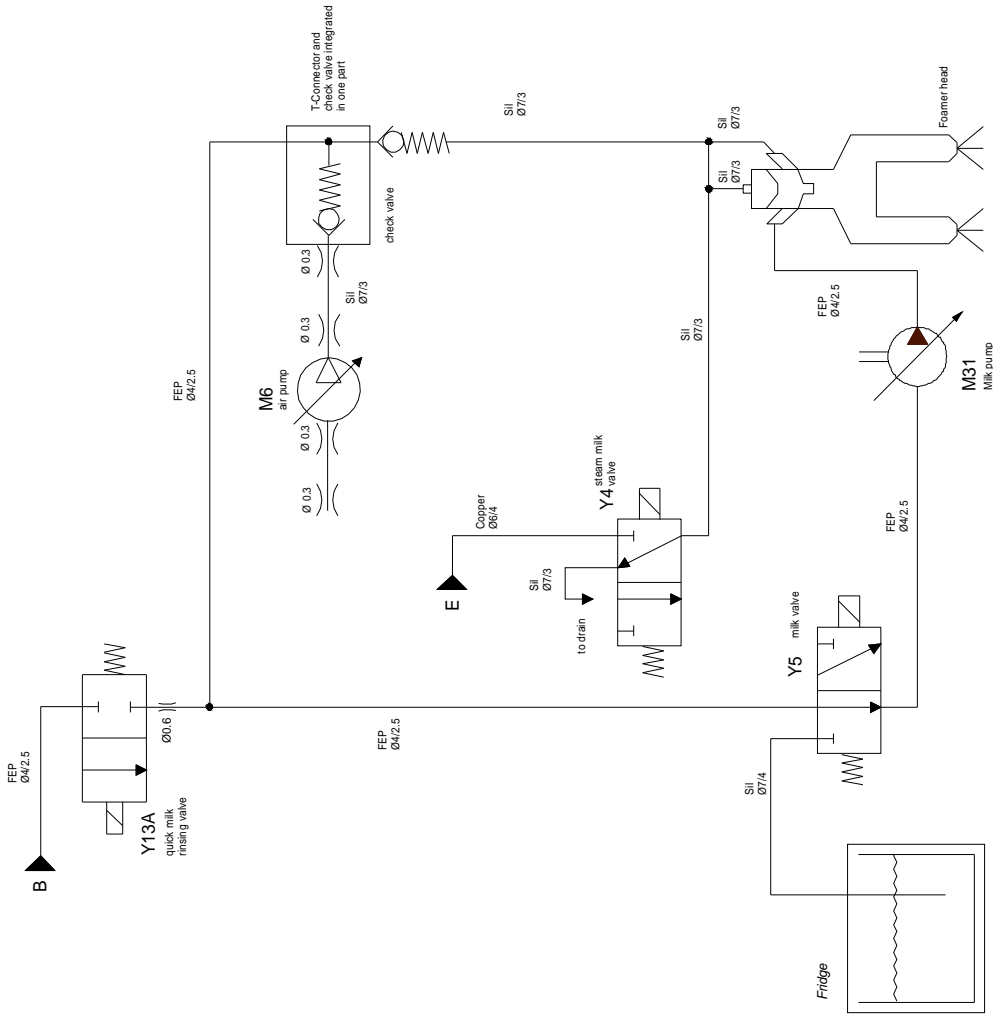
All proprietary rights reserved by Ecomatic Group S.p.A.  
This drawing is for internal use only and must not be released to other parties without written consent.  
Any infringement will be legally pursued.



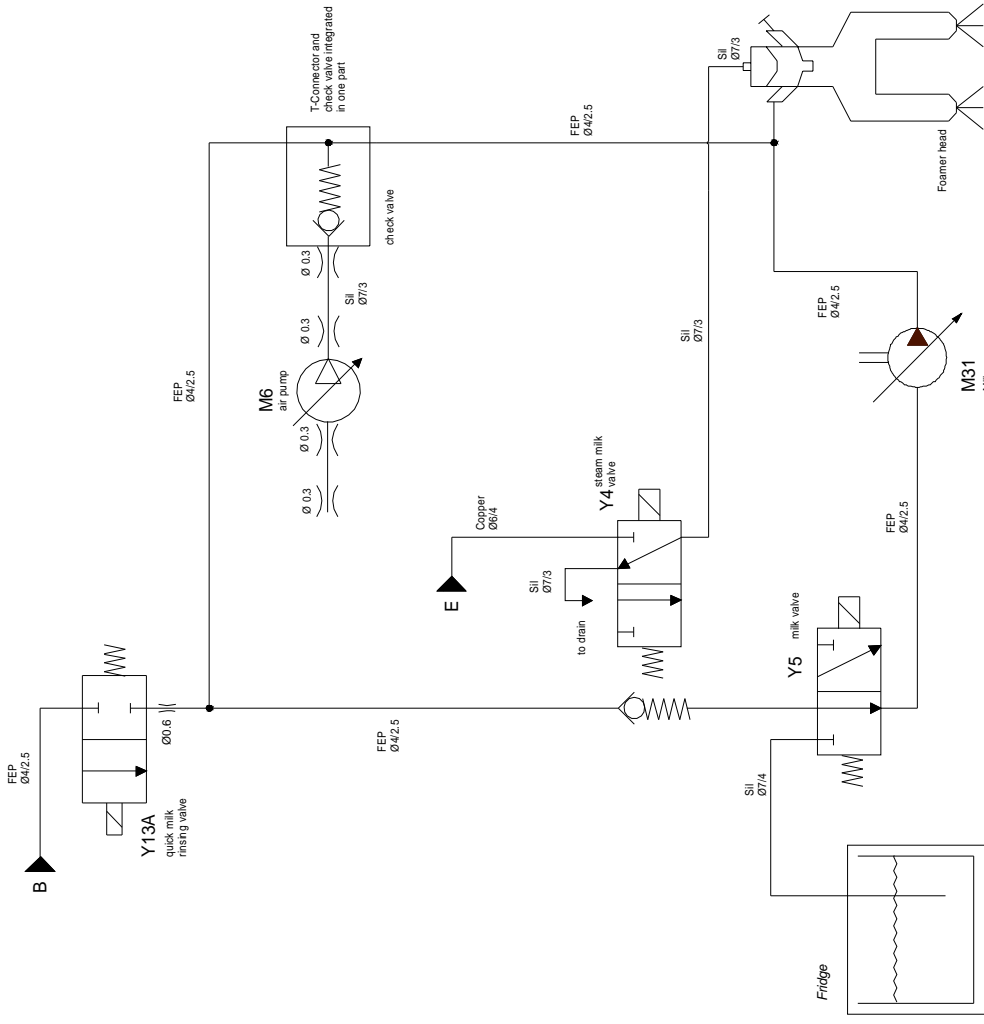
**Legende:**

#) with rotary vane pump only,  
not for option water tank (solenoid pump).

### Quick Milk Pro option



### Quick Milk Pro V2 option



Legende:

#) with rotary vane pump only,  
not for option water tank (solenoid pump).



DRAFTER	gho	CHECKER	mobu
DATE	152/18	DATE	13/04/21
PROJECT	ZERO +		
DWG NUMBER	Si_128 pag3		
DWG STATUS	RELEASED		
REV	AB	LAST ISSUE DATE	14/04/21
SIZE	A4		SHEET
			3 of 3

All proprietary rights reserved by Ecomilk Group S.p.A.  
This drawing is the property of Ecomilk Group S.p.A. for the  
manufacture of the component or unit herein illustrated and must  
not be released to other parties without written consent.  
Any infringement will be legally pursued.

DRAWING NAME  
**Hydraulic diagram  
ZERO +**



Shortcut	English	Deutsch	Français
B1	Temperature sensor coffee boiler	Temperatursensor Kaffeeboiler	Capteur de température chaudière à café
B3	Level sensor Steam boiler	Niveausensor Dampfboiler	Capteur de niveau chaudière de vapeur
E1	Coffee boiler heating element	Heizung Kaffeeboiler	Chauffage chaudière à café
E2	Steam boiler heating element	Heizung Dampfboiler	Chauffage chaudière à vapeur
E3	Heater brewing chamber	Heizung Brühgruppe	Chauffage groupe d'infusion
EMC	EMC filter	EMC Filter	Filtre EMC
F1	Fuse (F6,3A)	Sicherung (F6,3A)	Fusible (F6,3A)
F2	Fuse (T1,6A 230V) / (T2,5A 120V)	Sicherung (T1,6A 230V) / (T2,5A 120V)	Fusible (T1,6A 230V) / (T2,5A 120V)
F3	Fuse (T1,6A 230V) / (T2,5A 120V)	Sicherung (T1,6A 230V) / (T2,5A 120V)	Fusible (T1,6A 230V) / (T2,5A 120V)
F10	Thermal fuse coffee boiler 130°C	Temperatursicherung Kaffeeboiler 130°C	Fusible thermique chaudière à café 130°C
F11	Thermal fuse steam boiler 150°C	Temperatursicherung Dampfboiler 150°C	Fusible thermique chaudière à vapeur 150°C
FE1	Ferrite	Ferrit	Ferrite
FE2	Ferrite	Ferrit	Ferrite
K1	Relay Water pump	Relais Wasserpumpe	Relais Pompe d'eau
M1	Water pump	Wasserpumpe	Pompe d'eau
M2	Left grinder	Mühle links	Moulin gauche
M3	Right grinder	Mühle rechts	Moulin droit
M6	Air pump	Luftpumpe	Pompe d'air
M7	Upper gear motor	Spindelmotor oben	Moteur piston supérieur
M8	Lower gear motor	Spindelmotor unten	Moteur piston inférieur
M30	Left screw drive Powder module	Schneckenantrieb links Pulvermodul	Transmission à vis sans fin gauche module poudre
M31	Right screw drive Powder module	Schneckenantrieb rechts Pulvermodul	Transmission à vis sans fin droit module poudre
M32	Mixer motor Powder module	Mixermotor Pulvermodul	Moteur mélangeur module poudre
M33	Fan Powder module	Ventilator Pulvermodul	Ventilateur module poudre
P1	Flowmeter	Flowmeter	Débitmètre
S1	Main switch	Hauptschalter	Commutateur central
S12	Door switch	Türschalter	Contact porte
S13	Pressure sensor	Drucksensor	Capteur de pression
S14	Upper motor rotation sensor	Spindelmotor oben Umdrehungsmesser	Capteur rotation moteur supérieur
S15	Upper motor end switch	Spindelmotor oben Endschalter	Commutateur de fin de course du moteur supérieur
S16	Lower motor rotation sensor	Spindelmotor unten Umdrehungsmesser	Capteur rotation moteur inférieur
S17	Lower motor end switch	Spindelmotor unten Endschalter	Commutateur de fin de course du moteur inférieur
S18	Grounds drawer	Satzschublade	Tiroir à marc
S19	Level sensor water tank	Niveausensor Wassertank	Capteur de niveau réservoir
S20	Drip tray	Tropfschale	Egouttoir
S33	Encoder right grinder	Encoder rechte Mühle	Encoder moulin droit
S34	Encoder left grinder	Encoder linke Mühle	Encoder moulin gauche
T3	Power Supply	Netzgerät	Alimentation
TR1	Triac coffee boiler	Triac Kaffeeboiler	Triac chaudière à café
TR2	Triac steam boiler	Triac Dampfboiler	Triac chaudière à vapeur
X1	Terminal block Coffee machine	Anschlussklemme Kaffeemaschine	Bloc de jonction machine à café

X2	Ground connection	Erdung	Connexion châssis
Y1	Brewing valve	Brühventil	Soupape d'infusion
Y3	Steam boiler filling valve	Dampfboiler Füllventil	Soupape remplissage de chaudière à vapeur
Y4	Steam valve	Dampfventil	Soupape vapeur
Y5	Pinch valve / Milk valve	Quetschventil / Milchventil	Soupape a manchon / du lait
Y6	Hot water valve	Heisswasserventil	Soupape de l'eau chaude
Y7	Valve steam wand	Ventil Dampfzange	Soupape de lance vapeur
Y9	Inlet valve	Einlassventil	Soupape entrée
Y13A	Rinsing cold water	Kaltwasser Spülung	Soupape rinçage d'eau froid
Y20	Central Bypass	Zentraler Bypass	By-pass centralisé
Y30	Hot water valve Powder module	Heisswasserventil Pulvermodul	Soupape d'eau chaude pour module poudre

# Note

Lined writing area with horizontal lines for text.

# Contacts

*Ansprechpartner*

*Contacts*

## Headquarters, Production Plant and R&D Centers

### Rancilio Group S.p.A.

#### con socio unico

Viale della Repubblica 40  
20015 Villastanza di Parabiago (MI) - Italy  
Ph. +39 0331 408200  
Fax +39 0331 551437  
info@ranciliogroup.com

### Egro Suisse AG

Bahnhofstrasse 66  
5605 Dottikon - Switzerland  
Ph. +41 (0)56 616 95 95  
Fax +41 (0)56 616 95 97  
info-ch@ranciliogroup.com

## Worldwide Branch Locations

### Spain

Rancilio Group Espana, SAU  
C/Artes gráficas 1, 20A  
PI Las Arenas  
28320 Pinto, Madrid - Spain

Centro de negocios de Barcelona  
Gran Vía de Carlos III, 84 3ª - Edificio Trade  
08028 Barcelona - Spain  
Ph. +34 914 682 061  
info-es@ranciliogroup.com

### Portugal

Rancilio Group Portugal Lda  
Rua José Vicente Gonçalves n° 14-Armaz.-2  
Parque Industrial do Seixal  
2840-048 Aldeia de Paio Pires-Seixal  
Lisboa - Portugal  
Ph. + 351 21 493 52 58

Rancilio Group Portugal Lda  
Rua Albino José Domingues n°683  
4470-557 Maia  
Porto - Portugal  
Ph. + 351 22 490 39 77  
info-pt@ranciliogroup.com

### Germany

Rancilio Group Deutschland GmbH  
Isenburg Park  
Schleussnerstrasse 90  
63263 Neu-Isenburg - Germany  
Ph. +49 6102 79 90 30  
Fax +49 6102 79 90 320  
info-de@ranciliogroup.com

### Switzerland

Egro Suisse AG  
Bahnhofstrasse 66  
5605 Dottikon - Switzerland  
Ph. +41 (0)56 616 95 95  
Fax +41 (0)56 616 95 97  
info-ch@ranciliogroup.com

### USA / Canada

Rancilio Group North America Inc.  
11130 Katherine's Crossing Suite 800  
Woodridge, IL 60517 - U.S.A.  
Ph. +1 630 914 7900  
Fax +1 630 914 7901  
Toll Free: +1 877 726 2454  
info@ranciliogroupna.com

 **RANCILIO**GROUP

an Ali Group Company



The Spirit of Excellence

[www.ranciliogroup.com](http://www.ranciliogroup.com)



[facebook.com/RancilioGroup](https://facebook.com/RancilioGroup)



[Rancilio Group Channel](#)