



coffeeing the World

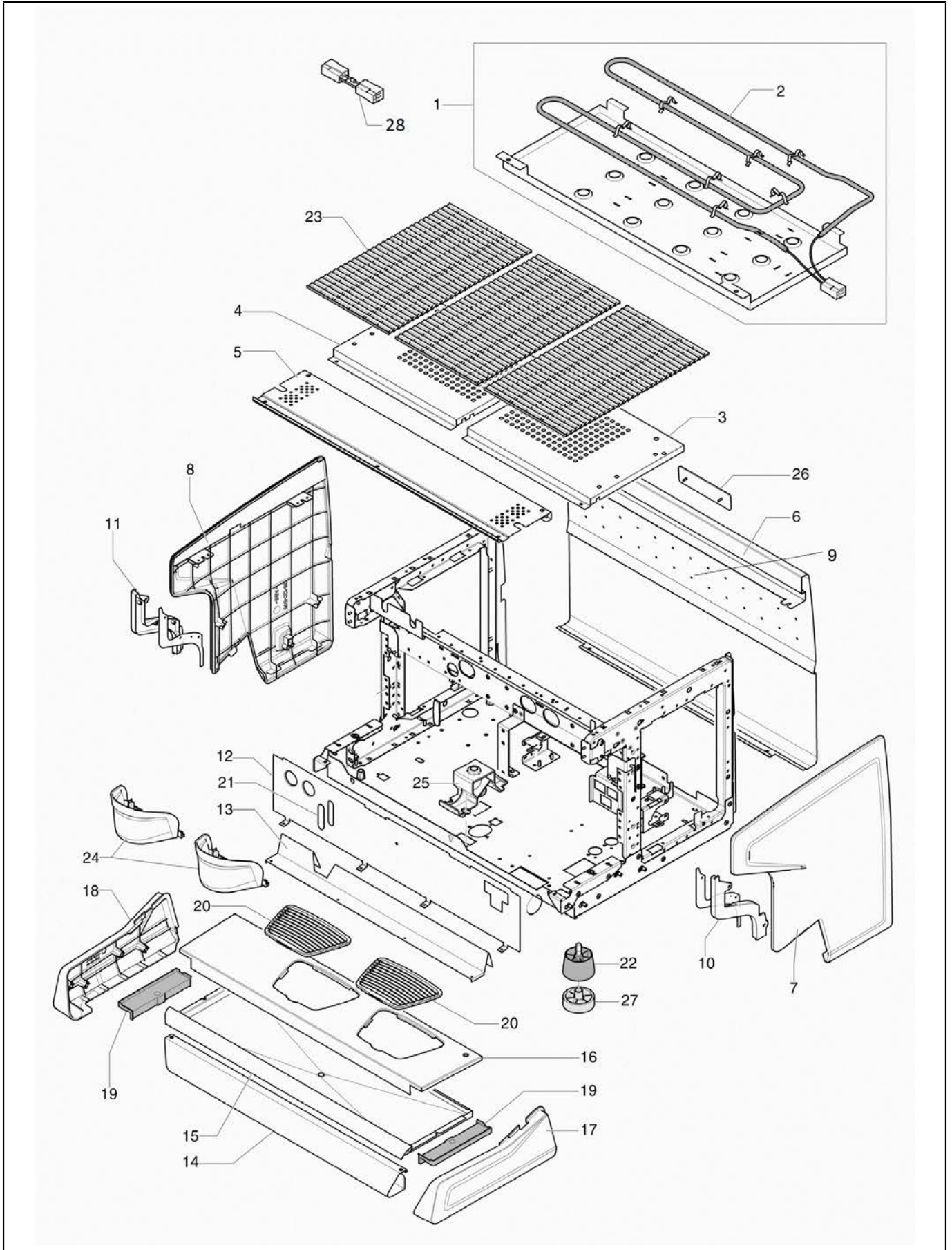
CLASSE 9 USB



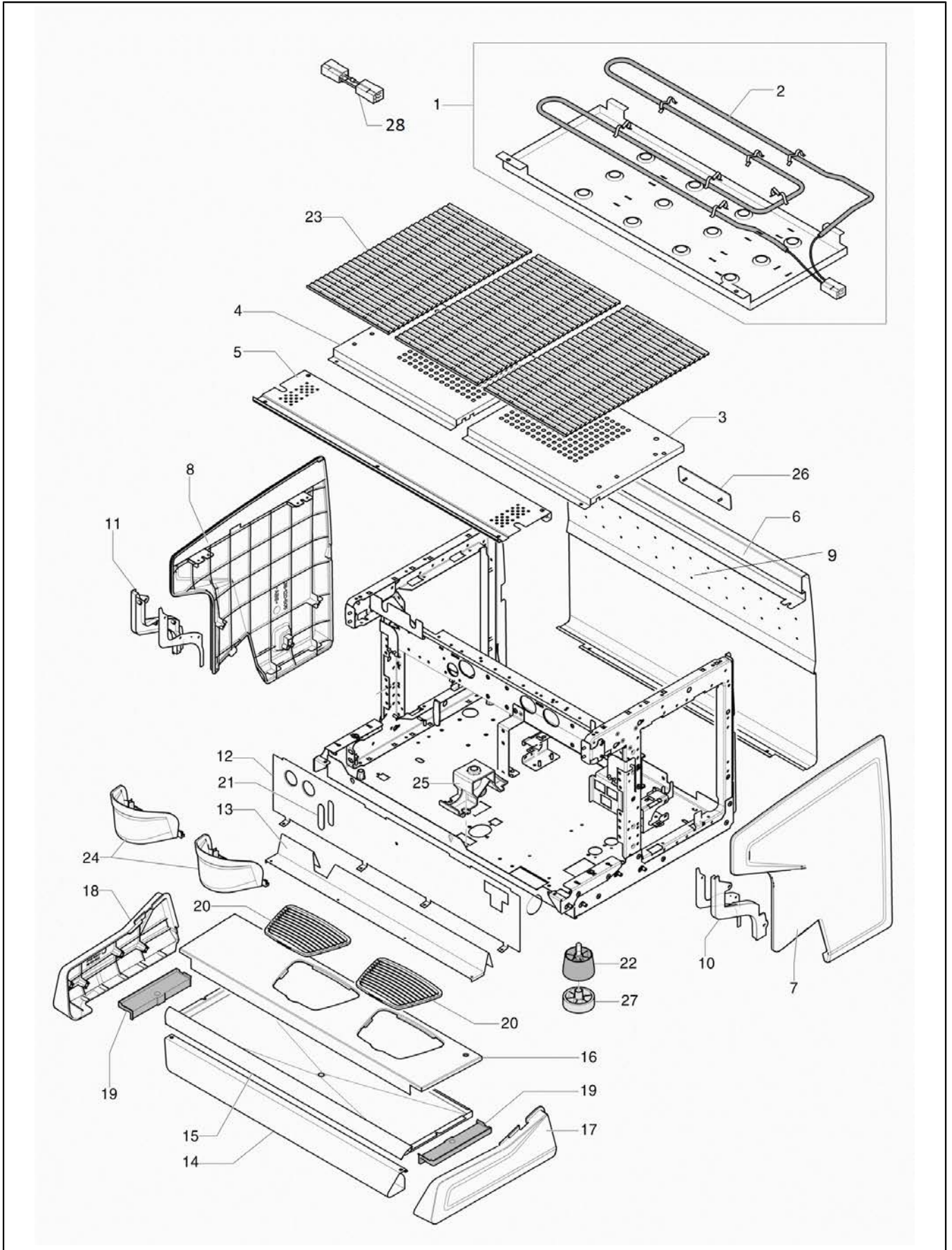
CLASSE 9

Index

Table 1000 - Body.....	4
Table 1001 - CONTROL PANEL USB.....	8
Table 1003 - HOUSING TALL.....	10
Table 2000 - IMPIANTO IDRAULICO USB fino 2012.....	12
Table 2004 - BREWING GROUP 24V.....	16
Table 2007 - Water spout	18
Table 2008 - Clever Steam Tap	20
Table 2010 - LEVEL INDICATOR.....	22
Table 2003_02 - BOILER/MOTOR PUMP.....	24
Table 2004_1 - GRUPPO EROGAZIONE 24V VERT.....	26
Table 2013 - IMPIANTO IDRAULICO USB M.I.....	28
Table 3000 - ELECTRIC/ELECTRONIC PARTS USB.....	32
Table 4000 - ISTEAM CLASSE 9.....	34
Alphanumeric index.....	36

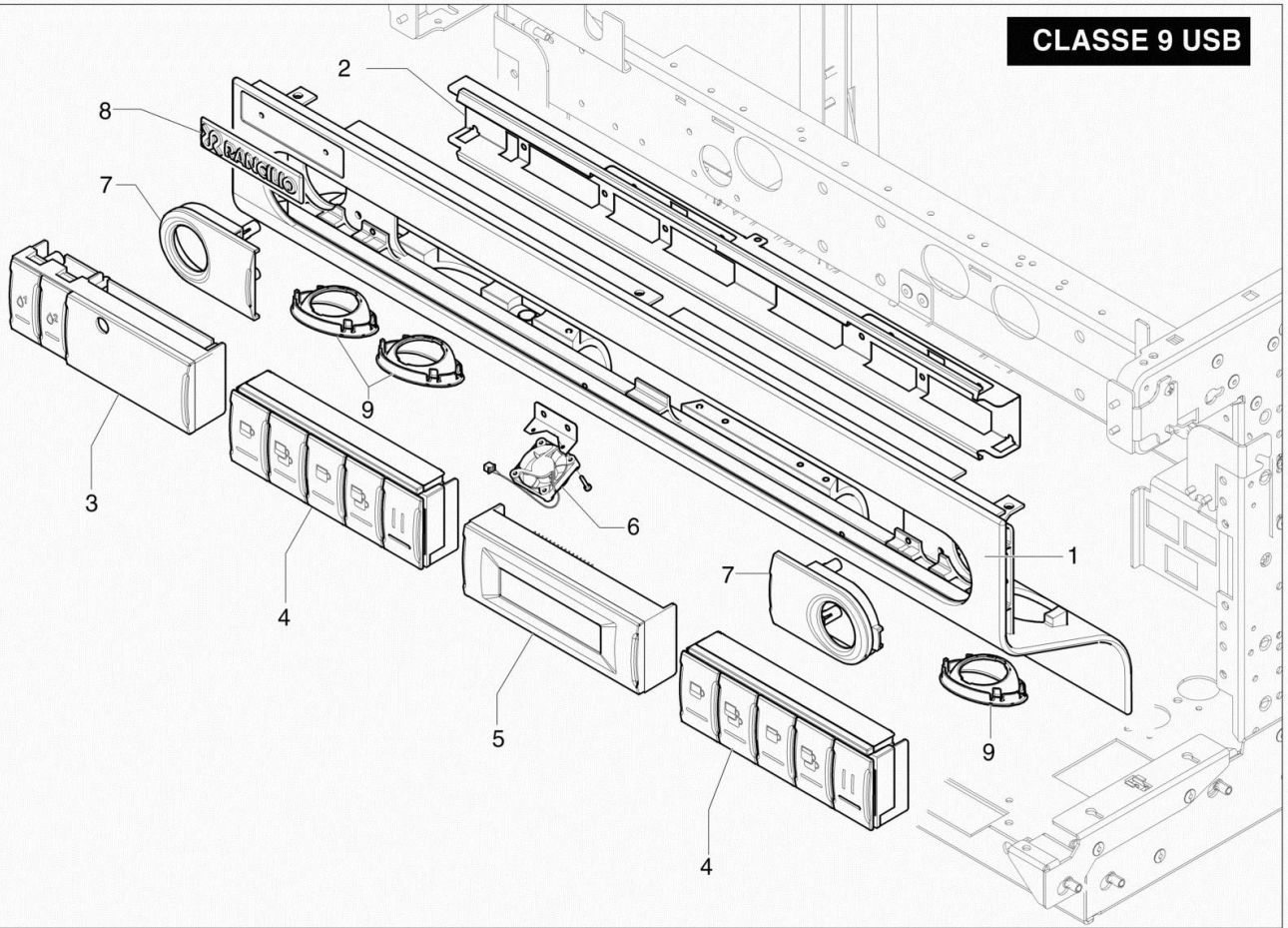


POS.	CODE	DESCRIPTION	NOTES
1	10700276	Kit Cupwarmer 2Gr + Screws Set	
	10700277	Kit Cupwarmer 3Gr + Screws Set	
	10700278	KIT CUPWARMER 4GR + SCREWS SET	
2	33122002	Cup-Warmer Resistanceance 230V 2Gr	
	33122003	Cup-Warmer Resistanceance 230V 3Gr	
	33122004	Cup-Warmer Resistanceance 230V 4Gr	
3	32330971	Heating Cup Grate Dx	
	32330973	Heating Cup Grate	grate 3/4gr
4	32330972	Heating Cup Grate Sx	
5	32331726	Upper Group Band 2Gr	
	32331727	Upper Group Band 3Gr	
	32331728	Upper Group Band 4Gr	
6	32331730	Rear Panel 2Gr Classe 9	
	32331731	Rear Panel 3Gr Classe 9	
	32331732	Rear Panel 4Gr Classe 9	
7	10905015	Right Side Panel C9	
8	10905016	Left Side Panel C9	
10	10705681	Led Bar Right	
11	10705682	Led Bar Left	
12	32331714	Front Panel 2Gr	
	32331715	Front Panel 3Gr	
	32331716	Front Panel 4Gr.	
	32332150	Front Panel Classe 9 Usb 2Gr 2 Buttons	versione 2 tasti no vetro livello 2buttons version no level
	32332151	Front Panel 3Gr 2Buttons Classe 9 Usb	versione 2 tasti no vetro livello 2 buttons version no level
12	32332152	Front Panel Classe 9 Usb 4Gr 2 Buttons	versione 2 tasti no vetro livello 2 buttons version no level
13	32331710	Protection Drain Tray 2Gr	
	32331711	Protection Drayn Tray 3Gr	
	32331712	Protection Drayn Tray 4Gr	
14	32331702	Lower Drain Tray Band 2Gr	
	32331703	Lower Drain Tray Band 3Gr	
	32331704	Lower Drain Tray Band 4Gr	
15	10781371	Drain Tray 2Gr Classe 9	da/from S/N 10248962 13/1/17
	10781372	Drain Tray 3Gr Classe 9	da/from S/N 10248962 13/1/17
	32331706	Drain Tray 2Gr	
	32331707	Drain Tray 3Gr	
	32331708	Drain Tray 4Gr	
16	32331736	Cup Tray 2Gr C9	
	32331737	Cup Tray 3Gr C9	
	32331738	Cup Tray 4Gr C9	
	32332033	Cup Tray Grid/17 2Gr Classe 9	dal/from S/N 10248962 13/1/17
	32332034	Cup Tray Grid/17 3Gr Classe 9	da/from S/N 10248962 13/1/17
	32332035	GRIGLIA POSAT.BAC.IMB.4GR.C9 -AI-	da/from S/N 10248962 13/1/17
17	38120501	Right Basin Side	
18	38120502	Left Basin Side	
19	38120503	Lateral Grate Support C9	
20	38120591	Cup Tray Grid Black	
21	38123856	Level Watch Glass	
22	38123568	Machine Foot	
23	38123921	Heating Cups Grate	
24	38120541	Group Cover Classe 9 Assy.	
25	38120511	Drain Train Canalizer	

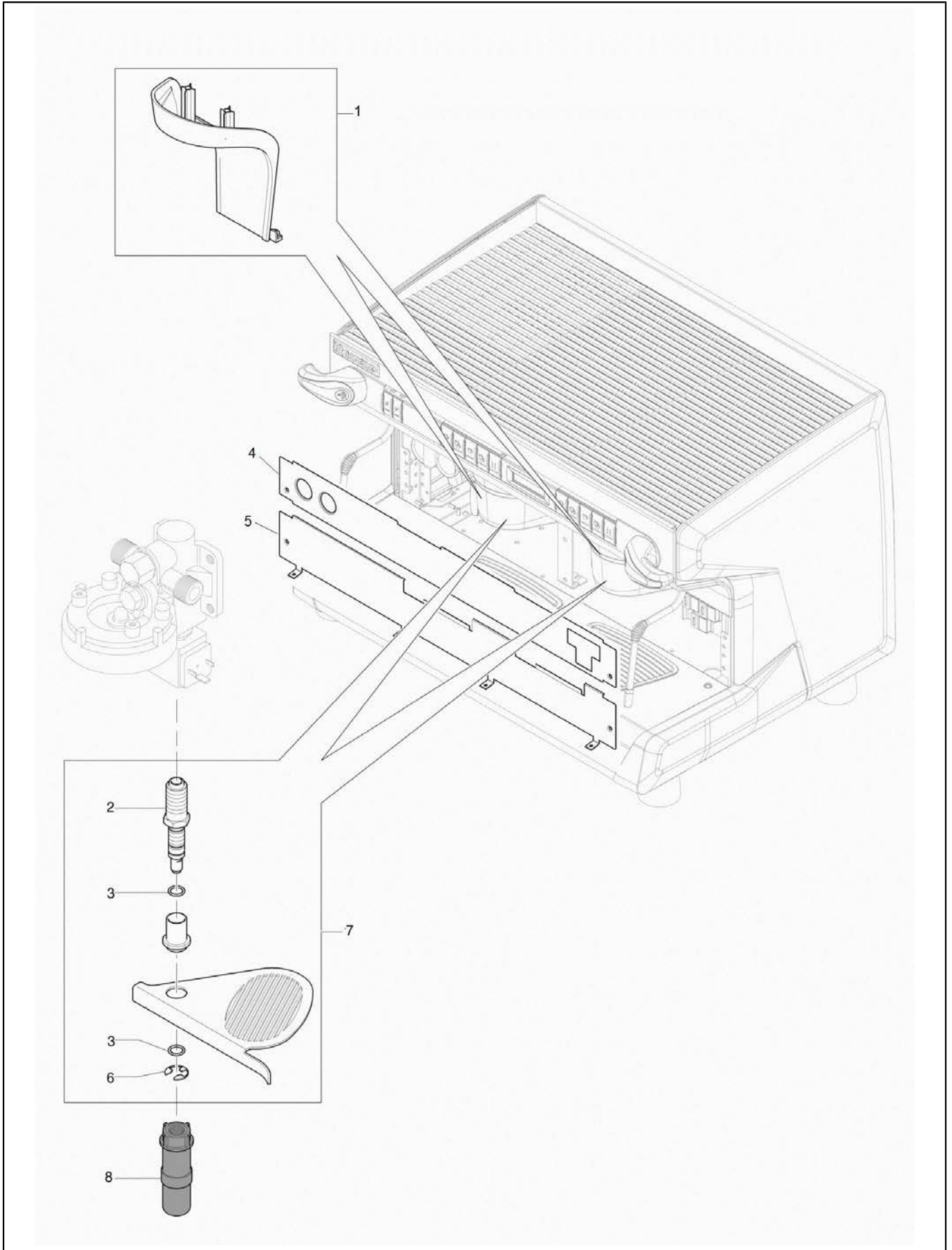


POS.	CODE	DESCRIPTION	NOTES
26	42200123	Rancilio Plate Mm.145	
27	38123852	Riser For Machine Foot	
28	10110427	Wiring For Cupwarmer Reducer	
29	37154212	Screw 4,2X13	
30	37030509	Screw M5 X 10 Tcb Ph Inox	

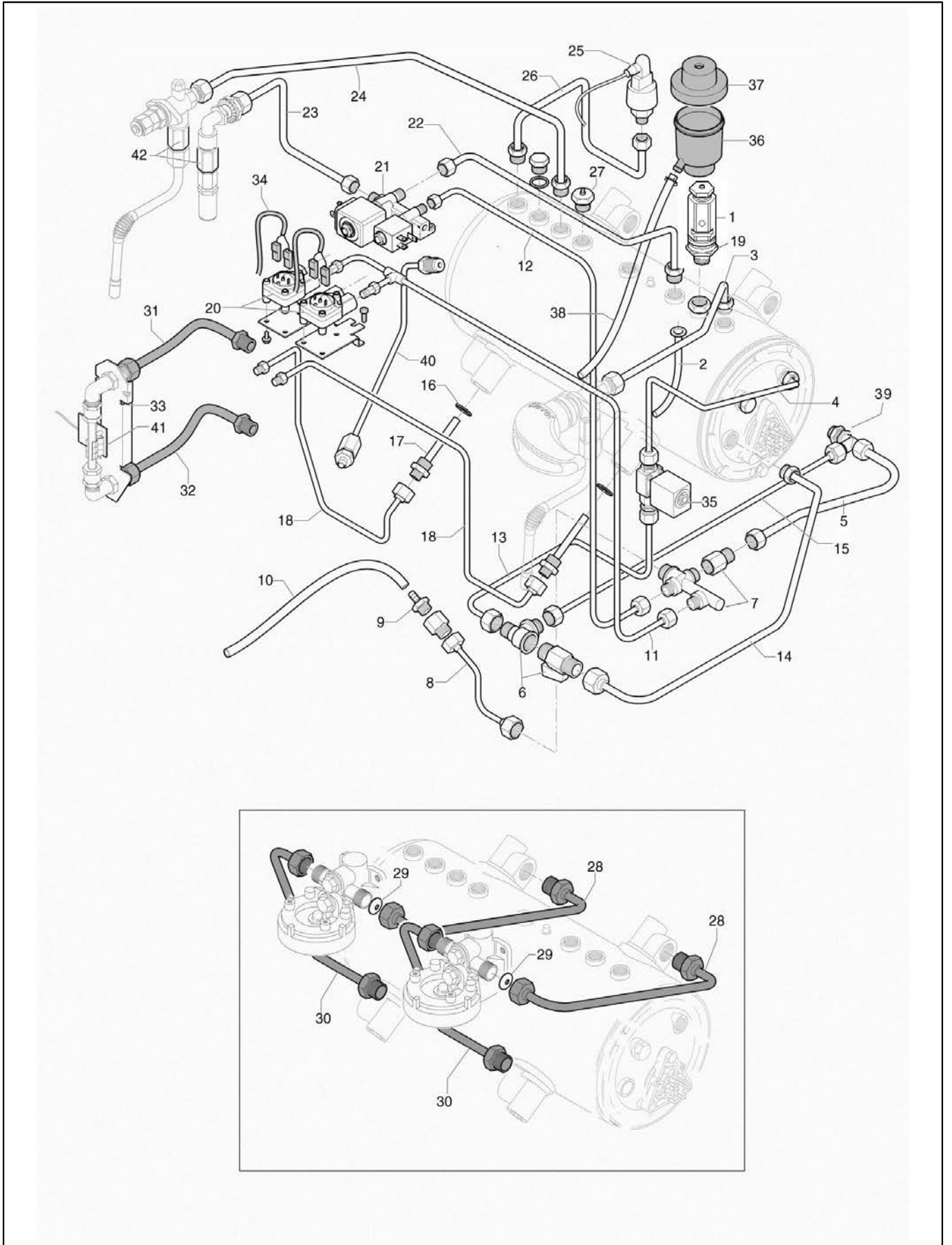
CLASSE 9 USB



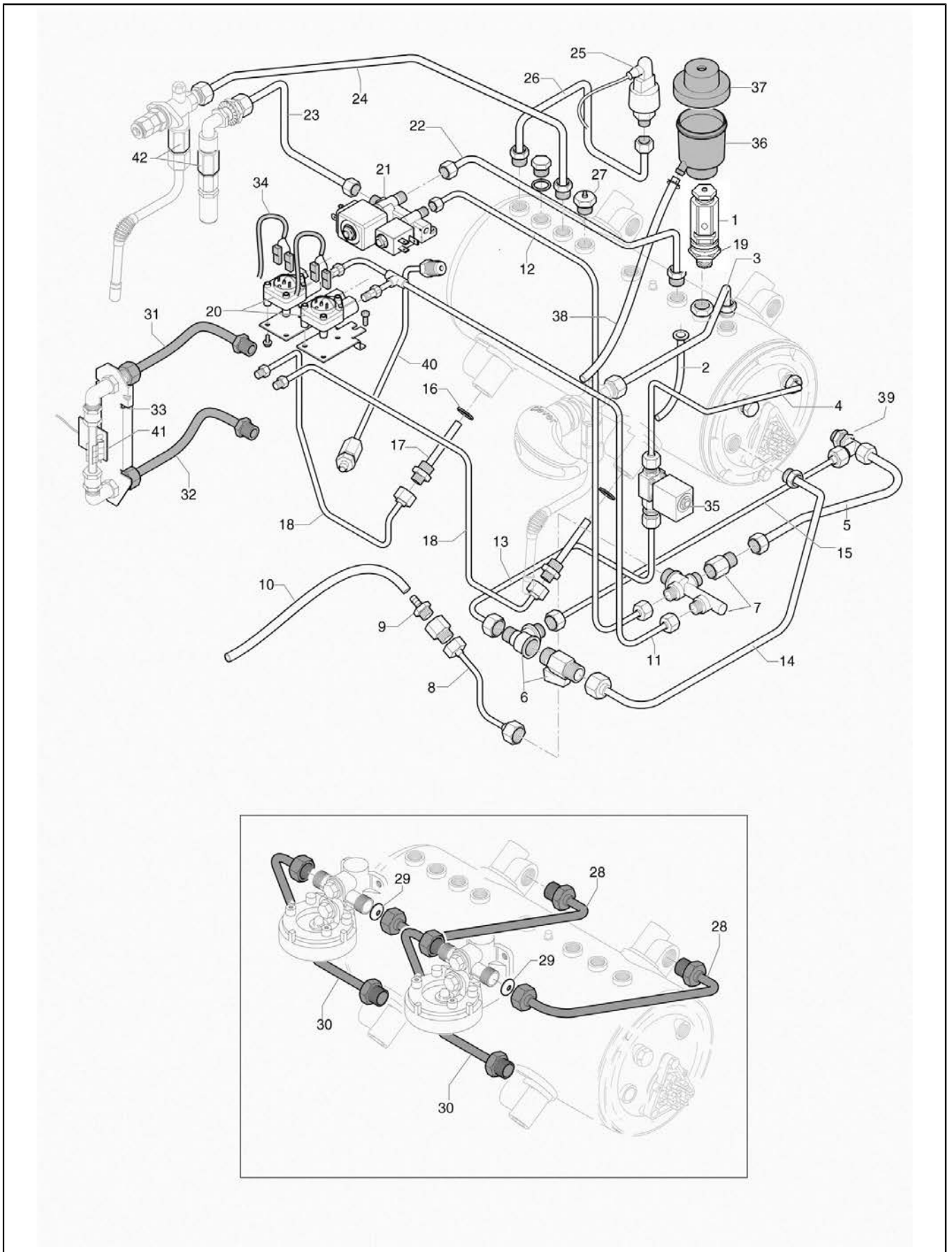
POS.	CODE	DESCRIPTION	NOTES
1	10700331	Control Panel Kit Classe 9 2Gr	
	10700332	Control Panel Kit Classe 9 3Gr	
	24902055	Control Panel 2Gr C9/2012	
	24902056	Control Panel 3Gr C9/2012	
	24902057	Control Panel 4Gr C9/2012	
2	32331747	Keypad Support C9Usb 2Gr	
	32331748	Keypad Support C9Usb 3Gr	
	32331749	Keypad Support C9Usb 4Gr	
3	10701170	Kit Water Button Classe 9 Usb Ppo	
	10705777	Water Button Classe 9Usb/14 Plastic Support	
4	10701167	Kit 5 Push Button C7-C9 Ppo	
	10705778	Coffee Keyboard Classe 9 Usb/14 Ppo/Led Assy.	
	38120262	Aesthetic Cap Classe 9 Usb/14	per versione 3 e 4gr. for 3 and 4gr
5	10701419	Display C9 Usb/17	
6	00001514	6-Edge Nut Self Locking M3	
	10110470	Display Fan	
	32551112	Fan Fixing Bracket C9	
	37173015	Screw M 3 X 15 Tc	
7	38120265	Cap With Handle Hole C9	
8	42200135	Plate C9/14	
9	38120508	Lance Water-Steam Closing	
10	37154212	Screw 4,2X13	



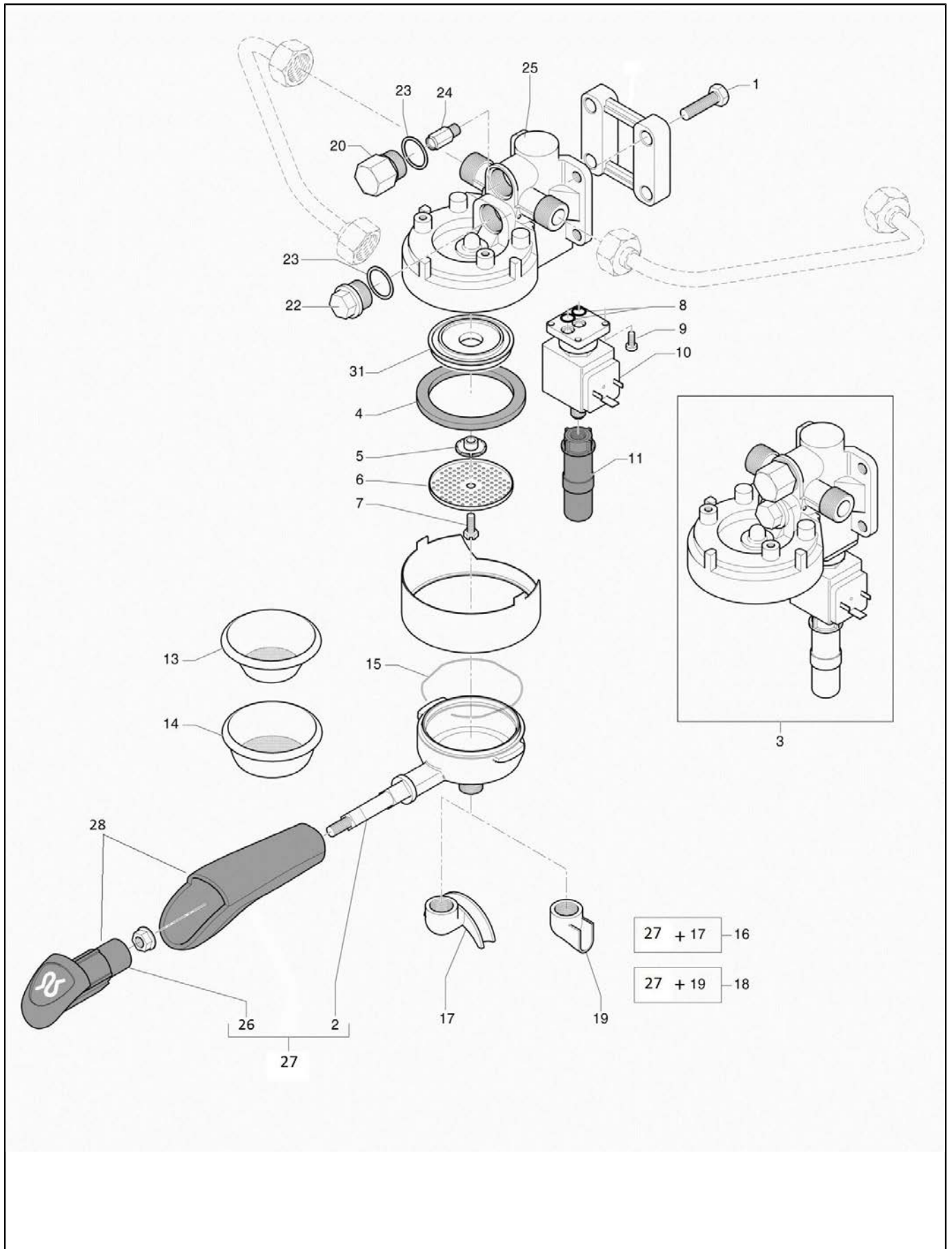
POS.	CODE	DESCRIPTION	NOTES
1	38120525	Grouphead Cover Classe 9 Tall	
2	23000042	Drain Electrov Tall	
3	36404026	O-Ring 10,82 X 1,78 V 2043	
4	32331718	Upper Front Panel 2Gr. Tall C9	
	32331719	Upper Front Panel 3Gr. Tall C9	
	32331720	Upper Front Panel 4Gr. Tall C9	
5	32331722	Lower Front Panel 2Gr. Tall C9	
	32331723	Lower Front Panel 3Gr. Tall C9	
	32331724	Lower Front Panel 4Gr. Tall C9	
6	37521000	Snap Ring D. 10	
7	10781163	Extractible Rise	
8	10090002	Therm.Group Jetbreaker	
9	37154212	Screw 4,2X13	
10	37030408	Screw M 4 X 8	



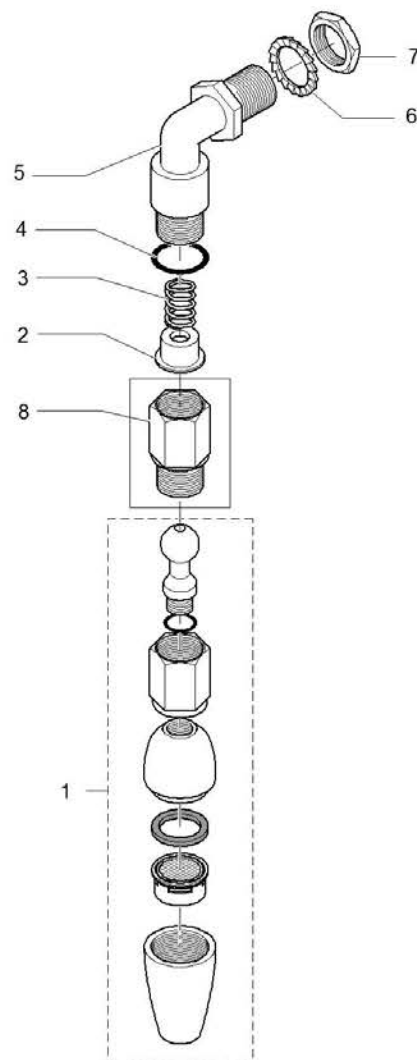
POS.	CODE	DESCRIPTION	NOTES
1	10060525	Safety Valve 1,9Bar 3/8	
2	27120130	Hot Water Suction Pipe	
3	10043044	Pipe 8 X 6 X Mml = 320 Mm	
4	10042022	Tube 6X4X230	
5	10043102	Pipe 8 X 6 X Mml = 130 Mm	
6	10706083	MANUAL WATER CHARGE ASSY	
7	10060448	Check Valve	
8	10042127	Pipe 6X4X180	
9	10060479	Expansion Valve 8 X G 3/8	
10	38228002	Silicone Hose D. 9X6X560	
11	10046014	Manifold Fan Pipe 2Gr	
	10046015	Manifold Fan Pipe 3Gr	
	10046016	Manifold Fan Pipe 4Gr	
12	10042052	Pipe 6X4X690 F1/4	
	10042053	Pipe 6X4X870	3/4 GR
13	10043249	Pipe 8 X 6 F1/4-F1/4 Pressure Switch	
14	10043151	Pipe 8 X 6 F3/8-M3/8 Steam Tap Right Classe 9 Tall	
15	10043067	Pipe 8X6X210 F3/8-F3/8 2-3-4Gr.	
16	27350001	Gasket 3/8 X 1 Copper	
17	10042032	Injector Pipe 127	
	10042034	Injector Pipe 175 Assy.	
18	10042238	Pipe Flowmeter Heat Exchanger	
	10042239	Pipe Flowmeter Heat Exchanger Right	
19	23000359	Safety Valve Extension	
20	34070060	Flowmeter Horiz. Connection	
21	10705759	Tea Water Mixer 24V brass	brass economizer
	34049011	Operator Kit 2/2 Ways Hot Water (T30)	
	34049012	Operator Kit 2/2 Ways Cold Water (T22)	
22	10043130	Pipe Economizer-Boiler Classe 11	
	10043157	Pipe 8X6 Boiler C9-C11	solo economizzatore in plastica only plastic water mixer
23	10043139	Pipe Economizer-Water Outlet Classe 9	
	10043162	Pipe 8X6 Econ-Water Tap C9	solo con economizzatore plastico only with plastic water mixer
	10043163	Pipe 8X6 Econ-Water Tap C9 Tall	solo con economizzatore plastico only with plastic water mixer
24	10043028	Pipe 8 X 6 X Mml = 420 Mm F3/8-M3/8	
25	34200288	Pressure Sensor	
26	10043039	Pipe 8 X 6 X Mml = 350 Mm	
27	10060051	Antivacuum Valve With Weight	
28	10044054	Circulation Pipe 10 X 8 F1/2-M1/2	
29	23125009	Group Restriction 3.5Mm	
	23125017	Group Restriction D 4,5	
	23125021	Group Restriction 2 Mm	
30	10044053	Circulation Pipe 10 X 8 F1/2-M1/2	
31	10044039	Upper Pipe Level Indicator 10X8 F3/8-M3/8	
32	10044061	Pipe Level 10 X 8 F3/8-M3/8	
33	10060383	Level Indicator Classe 9/13	
34	10110402	Flowmeter Wiring 1/2Gr.	
	10110445	Wiring Fan 2-3-4 Gr.	
35	10060466	Valve Inlet+ Check 24V	
36	38123947	Drain Tank Security Valve	
37	38123946	Security Valve Top	
38	38228003	Silicone Hose D. 9 X 6Mml = 480 Mm	



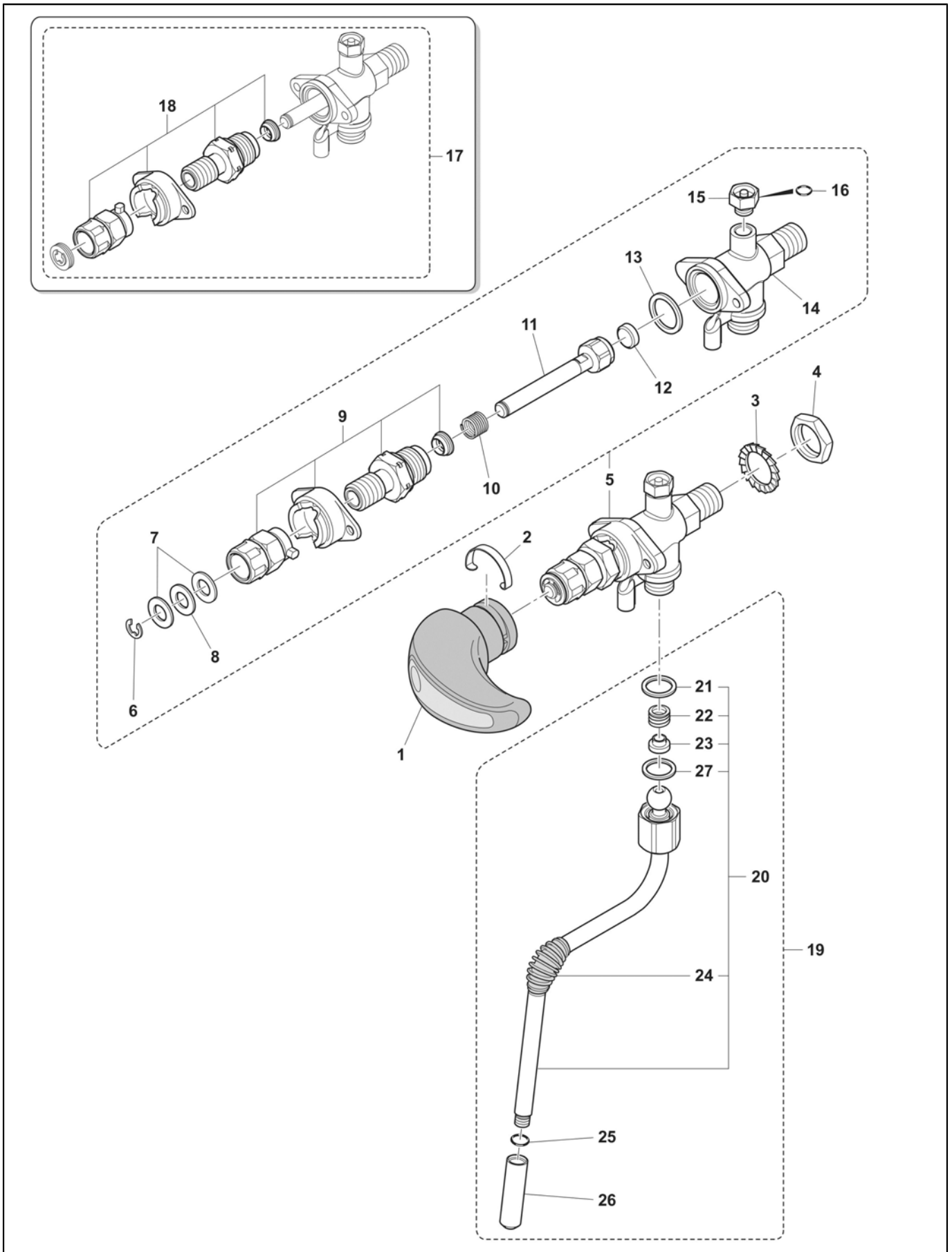
POS.	CODE	DESCRIPTION	NOTES
39	20123001	T Junction	
40	10043007	BOILER DISCHARGE PIPE COMPL.	
41	34070211	Level Board	
42	23000413	Steam/Water Tap Extension	



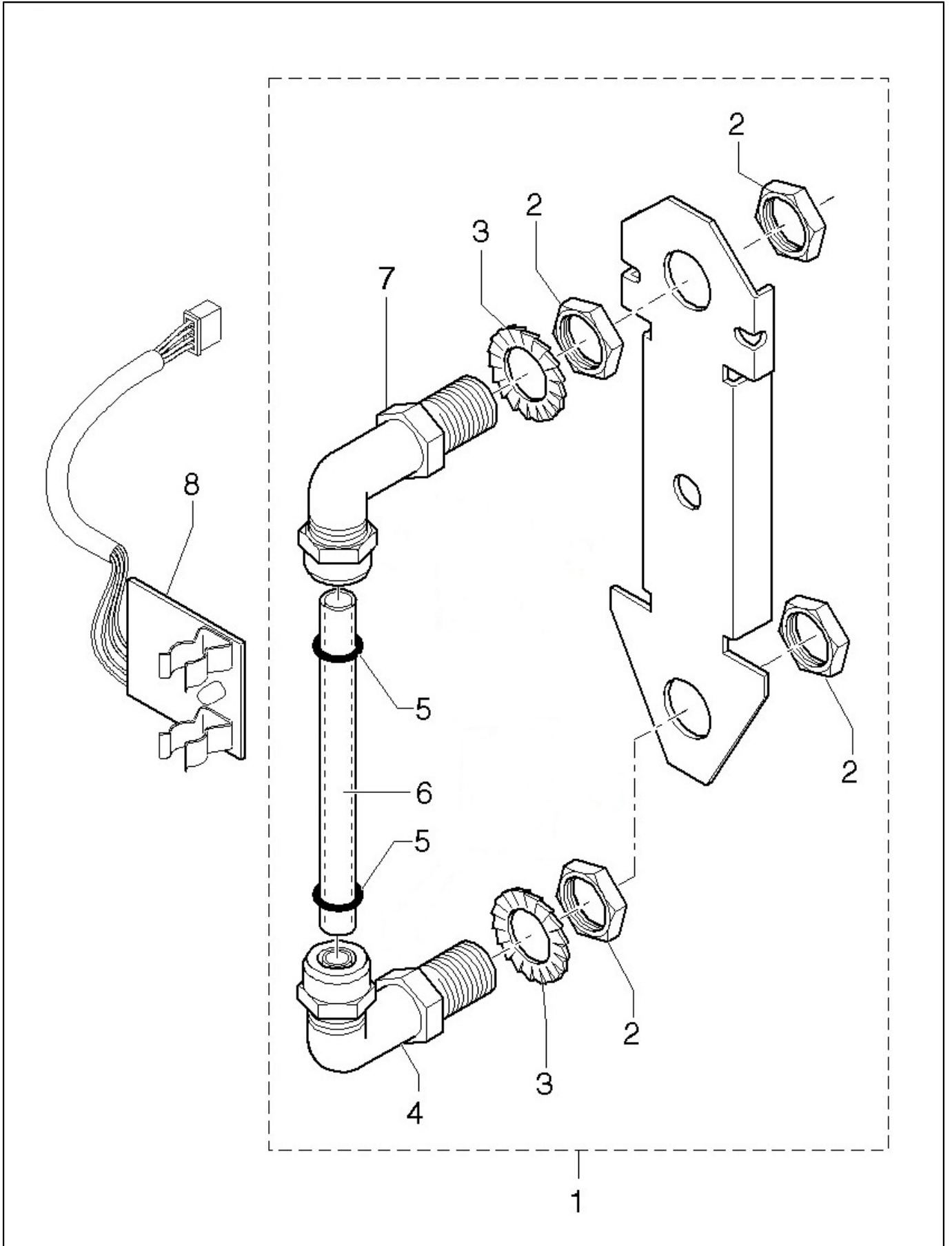
POS.	CODE	DESCRIPTION	NOTES
1	37040830	Screw M 8X30	
2	20112011	Filter-Holder	
3	10051213	Grouphead Classe 10/Sde 24V	
4	36301046	Group Gasket Perossidica Hp	
5	25139001	Group Jetbreaker	
6	40200005	Shower Net	
7	37040520	Screw M5 X 10	
8	36402005	O-Ring Electrovalve	
9	37060413	Screw M 4 X 12	
10	34040151	Electrovalve 3/2 24V (Sirai)	
11	10090002	Therm.Group Jetbreaker	
13	40100106	8Gr Filter Inox	
	40100106	8Gr Filter Inox	
14	40100107	16Gr Filter Inox	
	40100107	16Gr Filter Inox	
	40100108	18Gr Filter Inox	
15	25105007	Filter Spring	
16	10071137R	Porta-Filter Rr/09 2Doses	
17	21100801	2 Cup Beak Mc/09	
18	10071118R	Porta-Filter Rr/09 1Dose	
19	21102601	1 Cup Beak Mc/09	
20	23000227	Group Jet Cap	
22	20122653	Brewing Group Cap	
23	27400002	Gasket For Brewing Group Cap	
24	10060612	Brewing Group Flow Limiter Assy.	
	10060618	Group Jet 0.6	
25	20200054	Group Body	
26	10705535	Filterholder Cap With Ring	
27	10071100	Filter-Holder No Beck	
28	10705091	Kit Filter Holder Tap 07	
31	20200182	Shower Holder Brass	



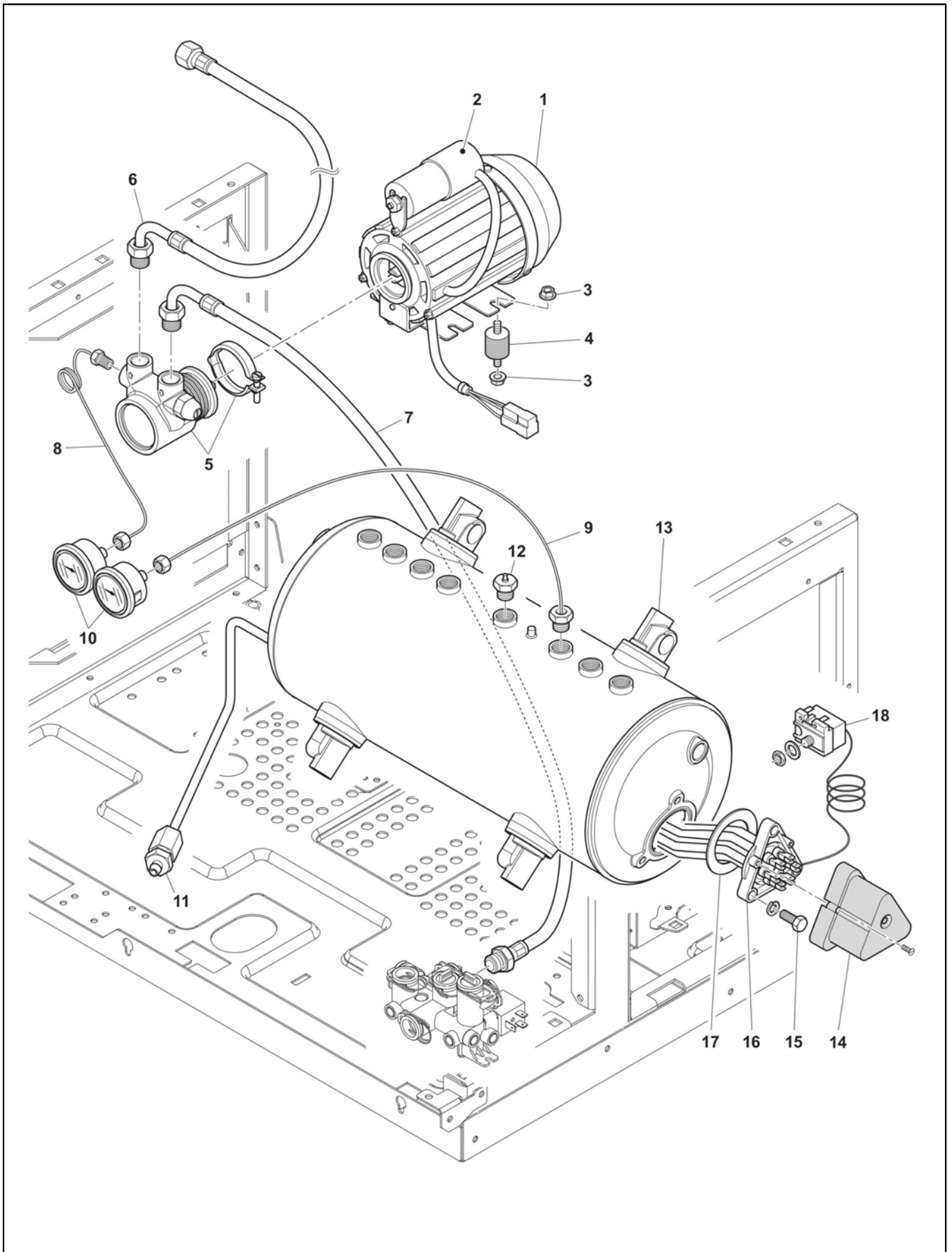
POS.	CODE	DESCRIPTION	NOTES
1	10049014	Water Outlet	
2	36930016	Gasket Teflon Connection Steam Wand	
3	39110038	Spring Connection Steam Tap	
4	36220009	Gasket Nut Note Teflon	
5	20200113	Hot Water Connection Brass	
6	37431600	Outer Toothed Washer D16	
7	26220005	Flat Nut 3/8	
8	23000413	Steam/Water Tap Extension	



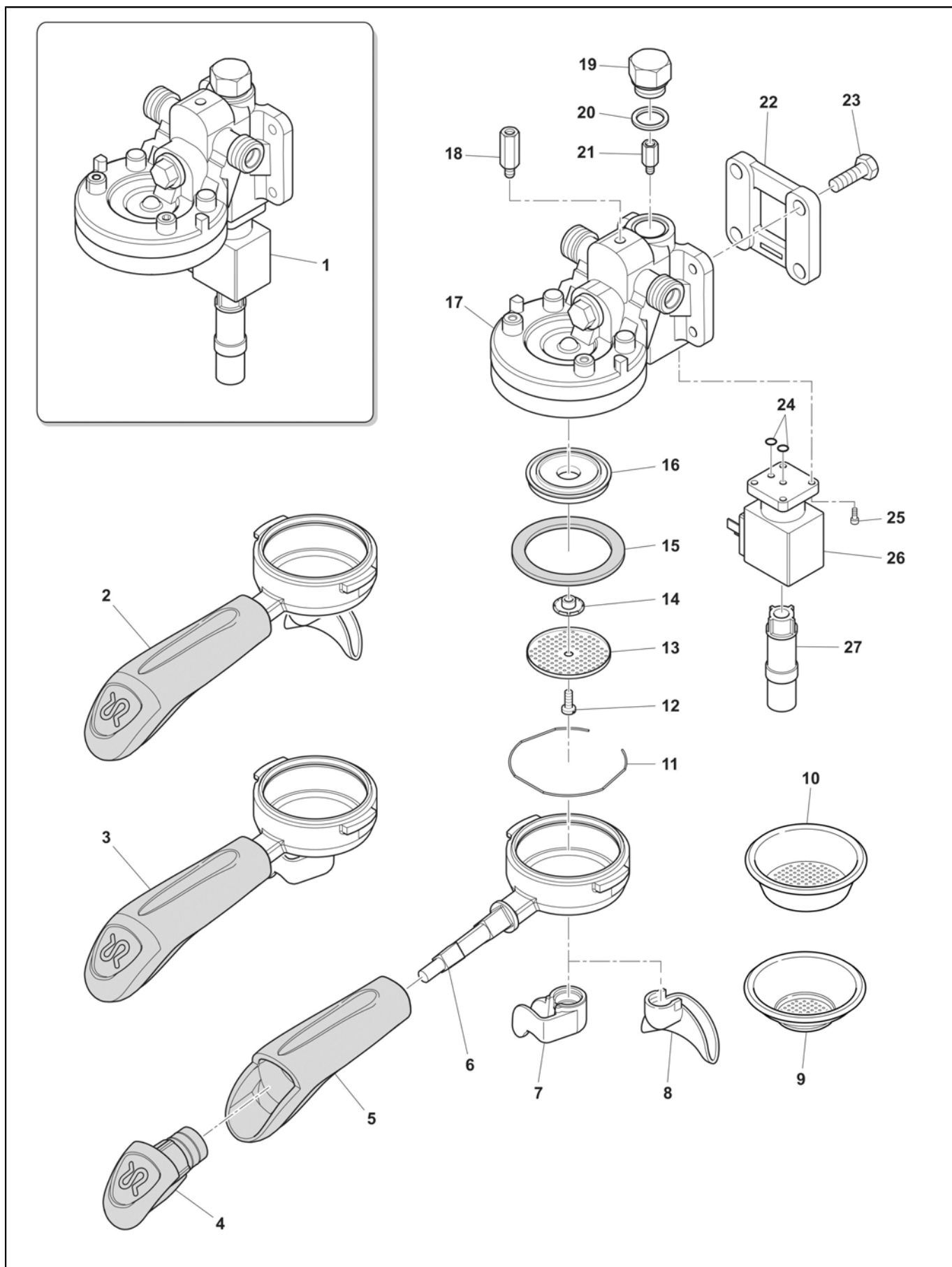
POS.	CODE	DESCRIPTION	NOTES
1	10060181	Handle Clever	
2	32210001	Steam Handle Spring	
3	37431600	Outer Toothed Washer D16	
4	26220005	Flat Nut 3/8	
5	10060148	Fast Steam Tap Right	
6	37510700	Snap Ring D. 7	
7	32239044	New Steam Cock Washer	
8	36230001	Teflon Washer	
9	10701239	Kit Clever/15 Cams Peek Right	
10	39110035	Water-Steam Cock Spring	
11	10060002	Rod+Nut And Steam Cock Gasket	
12	36301105	Gasket For Nut Steam Tap Epdm	
13	27400001	Gasket Copper Compass Re Group	
14	10701621	Steam Tap Body With Av. Valve/19	
15	10705180	Kit Av Valve Steam Tap	
16	36404058	O-Ring 3.68 X 1.78 Epdm 70Sh Teflon	
17	10060147	Fast Steam Tap Left	
18	10701240	Kit Clever/15 Cams Peek Left	
20	10049112	Steam Pipe Inox Lg 25	
21	36220009	Gasket Nut Note Teflon	
22	39110038	Spring Connection Steam Tap	
23	36930016	Gasket Teflon Connection Steam Wand	
24	36990004	Rubber For Steam Pipes	
25	36301050	O-Ring 6.4X1.9	
26	23212035	Steam Sprayer Lg44 D1.5	
27	36930017	Teflon Gasket For Steam Wand Nut	



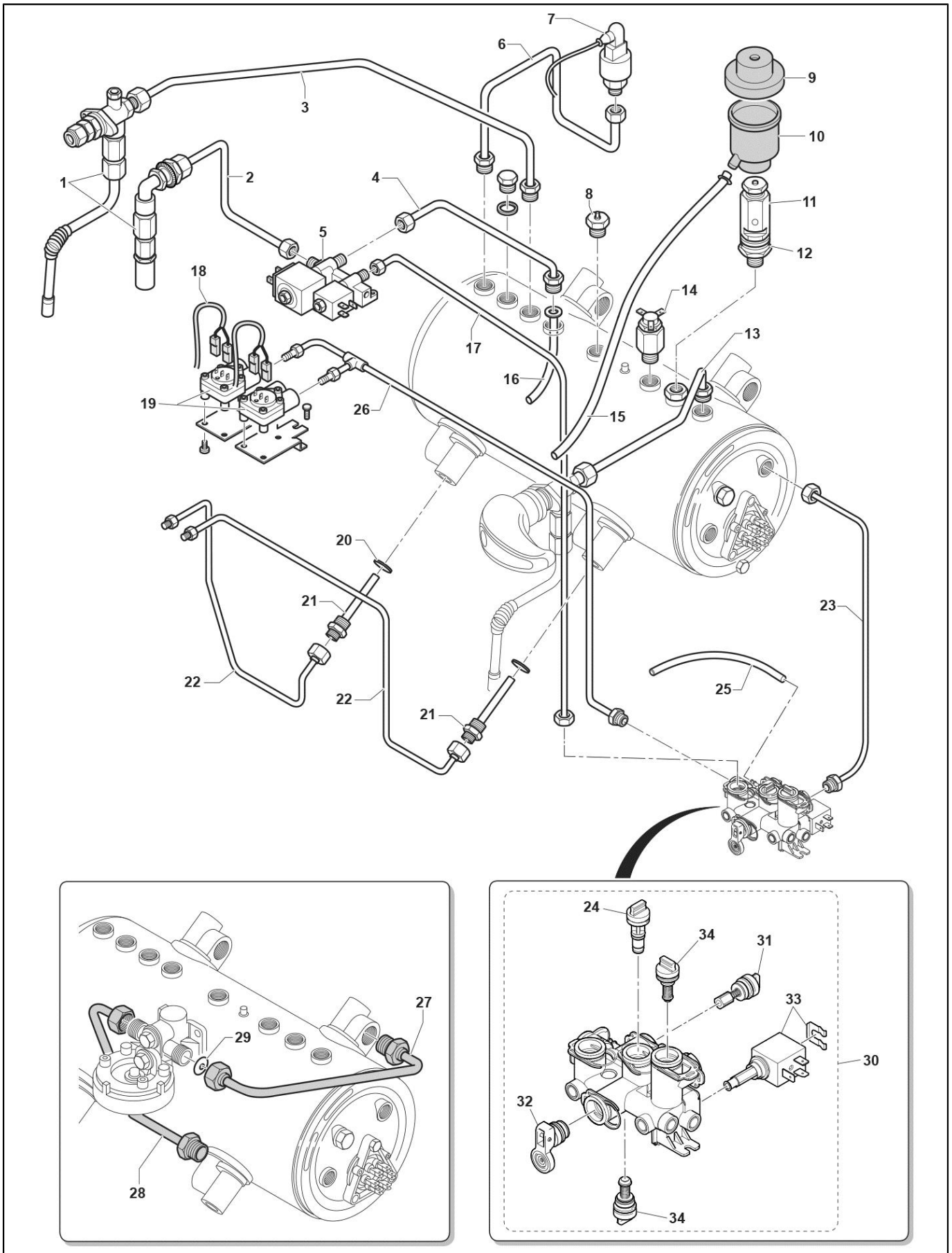
POS.	CODE	DESCRIPTION	NOTES
1	10060383	Level Indicator Classe 9/13	
2	26220005	Flat Nut 3/8	
3	37430600	Toothed Washer D. 6	
4	20121104	CONNECTOR FOR LWVWL INDICATOR	
5	36402003	O-Ring 9,25 X 1,78 V 75Sh	
6	38228066	Teflon Hose 10 X 8 X 107,5	
7	23222035	Long Junction 3/8	
8	34070211	Level Board	



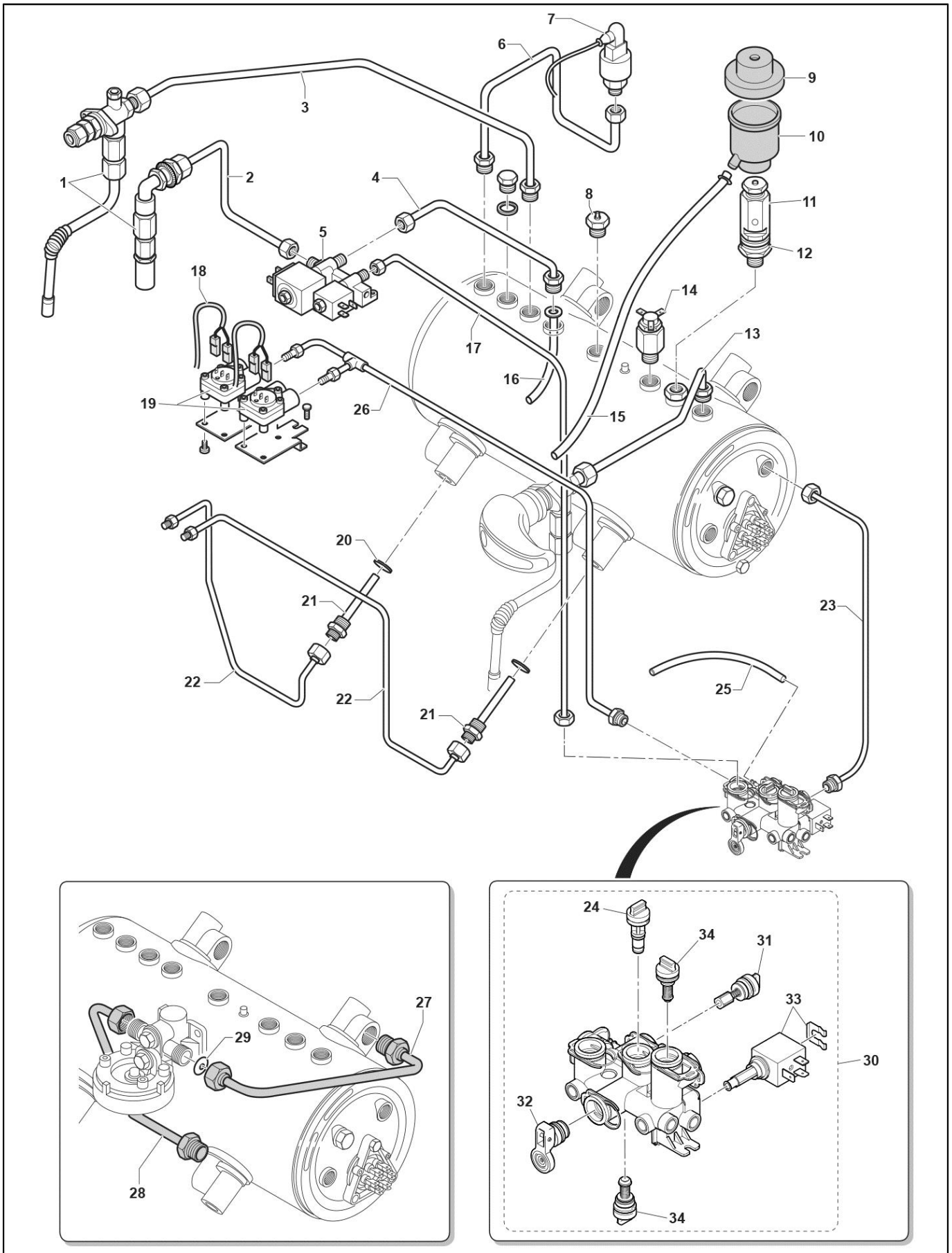
POS.	CODE	DESCRIPTION	NOTES
1	34011102	Vm Motor 230V	
2	34020014	Capacitor 10Mf 220V UI Vm	
3	80134961	Nut M6	
4	36322003	Anti-Vibrating Device 20 X 20 - M6 X 10 Sh45	
5	69000993	Volumetric Pump Vm 200L/H "Rancilio"	
6	69000734	Flex Pipe Mm1800 With Elbow+Check Valve	
	69000735	Flex Pipe Mm2300 With Elbow+Check Valve	
7	69000730	Flex Pipe M3/8 1060 Mm Elbow	
	69000731	Flex Pipe 3/8M-Sn Mm 830 Elbow	
8	69000243	Pipe Capillary Manometer F1/8-M1/8	
9	10041053	Pipe 4X3X600 F1/8 M3/8	
10	35002508	Manometer Boiler 0-2,5 Bar D. 44	
	35002509	Manometer Pompe 0-16 D. 44	
11	10043017	TUBO 8X6X251 F1/4-F3/8 -CU-	VERSIONE CON SCARICO LATERALE VERSION WITH SIDE DRAIN
	10043020	Pipe 8X6 Drain Boiler Assy.	VERSIONE PER SCARICO CENTRALE VERSION WITH CENTRAL DRAIN CONNECTION
12	10060051	Antivacuum Valve With Weight	
13	10022520T	Boiler 2Gr	
	10022530T	Boiler 3Gr	
	10701376	Boiler Retrofit Kit 2Gr	
	10701377	Boiler Retrofit Kit 3Gr	
14	38123665	Cover Heating Element	
15	37040821	Screw M 8X22	
16	33323004	Heating Element Capill. 230V/4300W	
	33323006	Heating Element+Capillar 230V 6000W	
17	36930012	Gasket Resistance Teflon	
18	34200097	Save- Heating Element Ego Monof.	



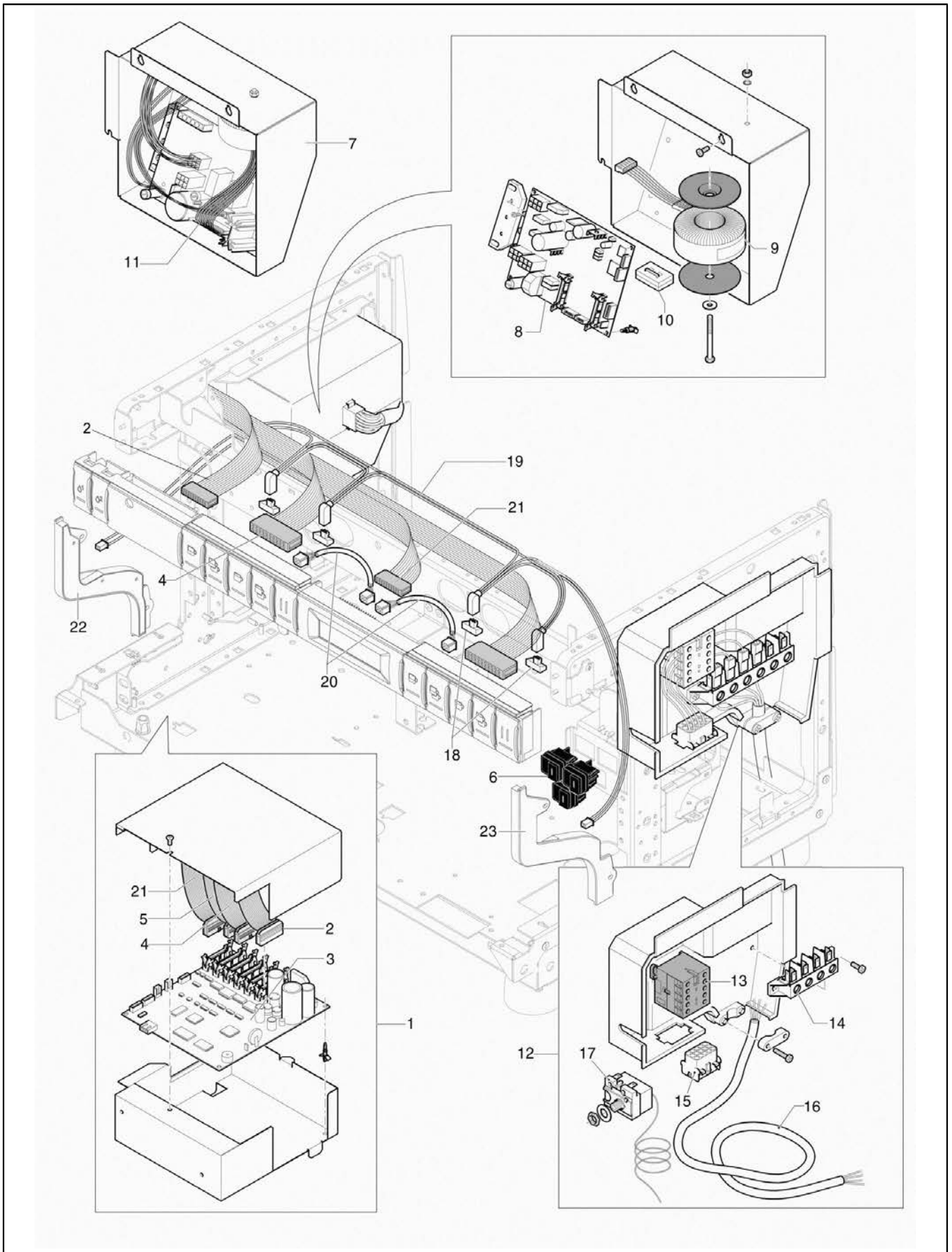
POS.	CODE	DESCRIPTION	NOTES
1	10051190	GRUPPO CON GIGLEUR VERT.24V	
2	10071137R	Porta-Filter Rr/09 2Doses	
3	10071118R	Porta-Filter Rr/09 1Dose	
4	10705535	Filterholder Cap With Ring	
5	10705091	Kit Filter Holder Tap 07	
6	20112211	Filter Holder Body Mc/09	
7	21102601	1 Cup Beak Mc/09	
8	21100801	2 Cup Beak Mc/09	
9	40100005	1 Dose Deeper Filter	
	40100106	8Gr Filter Inox	
10	40100090	Deeper 2 Cup Filter	
	40100107	16Gr Filter Inox	
	40100107	16Gr Filter Inox	
	40100108	18Gr Filter Inox	
11	25105007	Filter Spring	
12	37040520	Screw M5 X 10	
13	40200005	Shower Net	
14	25139001	Group Jetbreaker	
15	36301046	Group Gasket Perossidica Hp	
16	20200182	Shower Holder Brass	
	20200183	Shower Screen Holder Low Profile	
17	20200053P	Brewing Group Body Vert. Jet	
18	23000311	Spacer M6 X 30	
	37040611	Inox Screw M 6 X 10	
19	23000227	Group Jet Cap	
20	27400002	Gasket For Brewing Group Cap	
21	10060612	Brewing Group Flow Limiter Assy.	
	10060618	Group Jet 0.6	
	10701616	Teflon Restrictor Assy.	
22	21300710	Group Space Sleeve	
23	37040830	Screw M 8X30	
24	36402005	O-Ring Electrovalve	
25	37060413	Screw M 4 X 12	
26	34040151	Electrovalve 3/2 24V (Sirai)	
27	10090002	Therm.Group Jetbreaker	



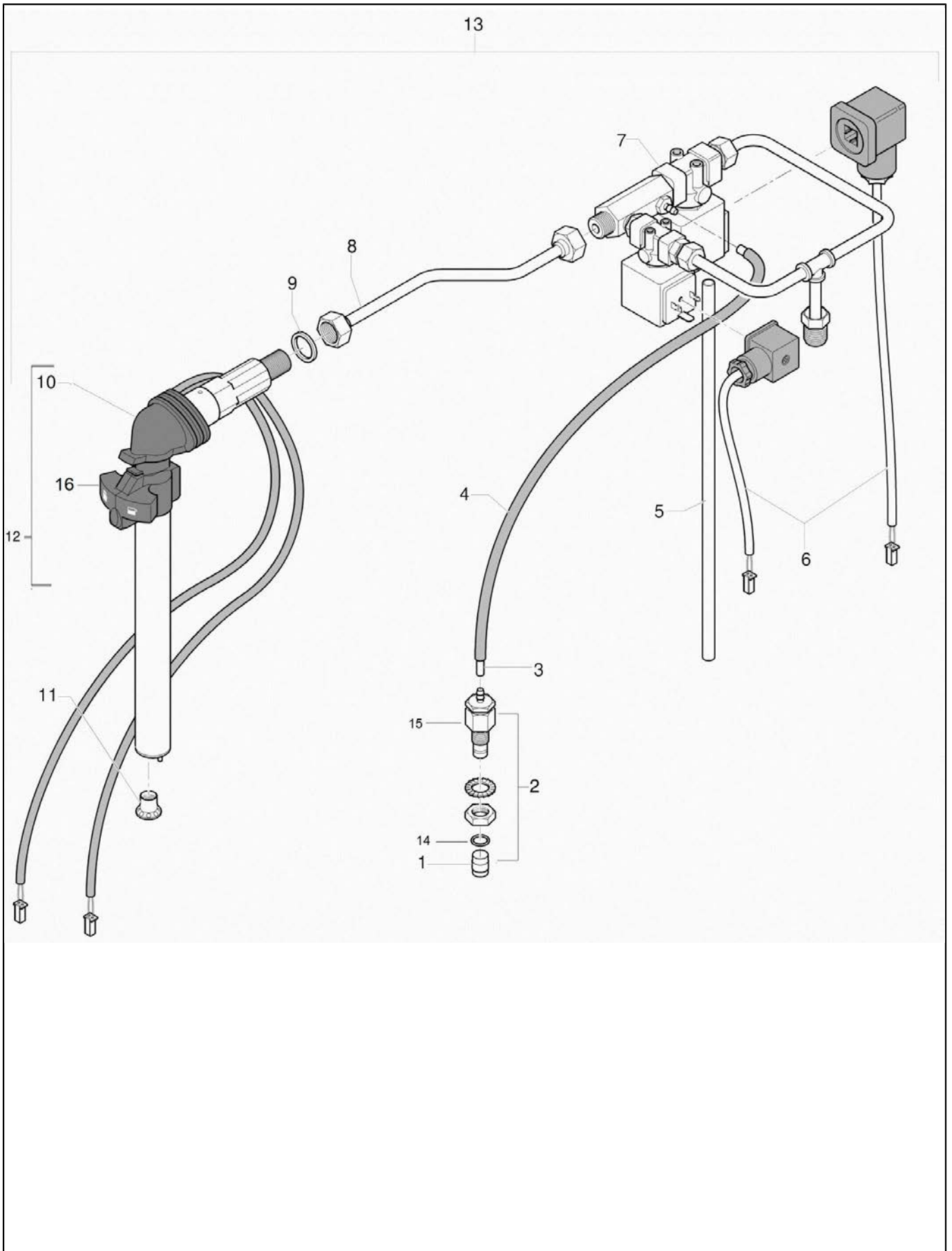
POS.	CODE	DESCRIPTION	NOTES
1	23000413	Steam/Water Tap Extension	
2	10043139	Pipe Economizer-Water Outlet Classe 9	brass water mixer economizzatore in ottone
	10043162	Pipe 8X6 Econ-Water Tap C9	for plastic economizer after 2018 per economizzatore in plastica dal 2018
	10043163	Pipe 8X6 Econ-Water Tap C9 Tall	for plastic economizer after 2018 per economizzatore in plastica dal 2018
3	10043217	Pipe 8 X 6 F3/8-M3/8 Steam Pipe Left-Boiler	
4	10043130	Pipe Economizer-Boiler Classe 11	solo per economizzatore in ottone only for brass economizer
	10043157	Pipe 8X6 Boiler C9-C11	for plastic economizer after 2018 per economizzatore in plastica dal 2018
5	10705759	Tea Water Mixer 24V brass	economizzatore in ottone brass economizer
	10705788	Tea Water Mixer 24V-Pps	plastic economizer after economizzatore in plastica
	34040197	Operator Kit 24V 2/2 T22 (Cold) Ppo	
	34040198	Operator Kit 24V 2/2 T30 (Hot) Ppo	
	34049011	Operator Kit 2/2 Ways Hot Water (T30)	
	34049012	Operator Kit 2/2 Ways Cold Water (T22)	
6	10043220	Pipe 8 X 6 Pressure Sensor Classe 7 Usb	
7	34200288	Pressure Sensor	
8	10060051	Antivacuum Valve With Weight	
9	38123946	Security Valve Top	
10	38123947	Drain Tank Security Valve	
11	10060525	Safety Valve 1,9Bar 3/8	
	10060533	Safety Valve 1,9 Bar 3/8" 2019	
12	23000359	Safety Valve Extension	
13	10043216	Pipe 8 X 6 F3/8-M3/8 Steam Pipe Right-Boiler	
14	10060002	Rod+Nut And Steam Cock Gasket	
15	38228002	Silicone Hose D. 9X6X560	
16	27120130	Hot Water Suction Pipe	
17	10042196	Pipe H.H.-Economizer 2Gr Classe 11	only for brass economizer solo epr economizzatore in ottone
	10042197	Pipe H.H.-Economizer 3Gr Classe 11	only for brass economizer solo per economizzatore in ottone
	10042241	ECO TUBO MOD.IDR-ECONOM.2GR.C11 TALL	only for brass economizer solo per economizzatore in ottone
	10042242	ECO TUBO MOD.IDR-ECONOM.3GR.C11 TALL	only for brass economizer solo per economizzatore in ottone
	10042243	ECO TUBO MOD.IDR-ECONOM.4GR.C11 TALL	only for brass economizer solo per economizzatore in ottone
	10042249	Pipe 6X4 H.H. 2Gr.C9-C11	for plastic economizer after 2018 per economizzatore in plastica dal 2018
	10042250	Pipe 6X4 H.H. 3Gr.C9-C11	for plastic economizer after 2018 per economizzatore in plastica dal 2018
	10042251	ECO TUBO 6X4 MOD.IDR.4GR.C9-C11	only for plastic economizer solo per economizzatore in plastica
	10042252	Pipe 6X4 H.H. 2Gr.C9-C11 Tall	only for plastic economizer solo per economizzatore in plastica
	10042253	Pipe 6X4 H.H. 3Gr.C9-C11 Tall	only for plastic economizer solo per economizzatore in plastica
	10042254	ECO TUBO 6X4 MOD.IDR.4GR.C9-C11 TALL	only for plastic economizer solo per economizzatore in plastica
18	10110402	Flowmeter Wiring 1/2Gr.	
	10110445	Wiring Fan 2-3-4 Gr.	
19	34070060	Flowmeter Horiz. Connection	



POS.	CODE	DESCRIPTION	NOTES
20	27350001	Gasket 3/8 X 1 Copper	
21	10042032	Injector Pipe 127	
	10042034	Injector Pipe 175 Assy.	
22	10042238	Pipe Flowmeter Heat Exchanger	1x 3gr
	10042239	Pipe Flowmeter Heat Exchanger Right	2x 2gr/3gr
23	10042152	Pipe 6 X 4 Hh-M3/8 Boiler Inlet Tall	
	36404052	O-Ring 9,16 X 2,62 F 3037	
24	69140006	Filter Hydraulic Module	
25	38228002	Silicone Hose D. 9X6X560	
26	10046083	Pipe Flowmeter 2Gr	
	10046084	Pipe Flowmeter 3Gr	3/4 GR
	10046085	Pipe Flowmeter 4Gr	
27	10044097	Pipe Circulation Mm225 F1/2-M1/2 Mc/15	
28	10044098	Pipe Circulation Mm275 F1/2-M1/2 Mc/15	
29	23125009	Group Restriction 3.5Mm	
	23125017	Group Restriction D 4,5	
	23125021	Group Restriction 2 Mm	
30	10701244	Hydro Hub 24V	
31	69140009	Pressure Relief Valve Hydraulic Module	
	69140010	Spring Pressure Relief Valve Hydraulic Module	
	69140011	Plunger Pressure Relief Valve Hydraulic Module	
	69140019	Pressure Relief Valve Cap	
32	69140008	Manual Tap Hydraulic Module	
33	69140013	Operator Kit 24V Hydraulic Module	
34	69140016	Check Valve Cap	
	69140018	Spring Check Valve	
	69140047	Kit Check Valve Complete	
	69140048	Gummy+Bush	



POS.	CODE	DESCRIPTION	NOTES
1	10110384	Cpu Box Xcelsius	
2	10110752	Functions Cable	
3	10700983	Kit Cpu Board C9 Usb/Xcelsius	
4	10110439	Wiring Panel-Group 1	
	10110440	Wiring Panel-Group 2	
5	10110441	Wiring Panel-Group 3	
	10110442	Wiring Panel.Group 4	
6	34030971	Switch Green Light	
7	10110390	Power Box Sde12	
8	10110773	Wiring Relay Boiler Overpressure Classe 10 Classe	
	10700985	Kit Power Board Sde12	this could be use also on machine with old power board. Remember to disconnect save-heating element connector.
9	34200269	Transformer 140Va	
10	38123598	Fuse Box	
11	10120019	CABLAGGIO POTENZA SDE 012	
12	10110956	Electric Box 230 With Emc Filter	
	34021004	Emc Filter	
13	34200333	Mini-Contactor Abb 220/240V	
14	34150026	Clamp 4 Position	
15	10110655	Wiring Power	
16	34300073	Cavo H07Rn-F 5C.Sez.2,5 L=2000	
	34300074	Cavo H07Rn-F 3Capi Sez.2,5 L=2000	
17	34200097	Save- Heating Element Ego Monof.	
18	10705683	Led Groups	
19	10110738	Wiring Illumination 2Gr C9	
	10110739	Wiring Illumination 3Gr	
	10110740	Wiring Illumination 4Gr	
20	10110744	Rgb Panel Cables 1-2 Gr	
	10110745	Rgb Panel Cables 3-4 Gr	
21	10110865	Cable+Ferrite Display Classe 9 Usb	
22	10705681	Led Bar Right	
23	10705682	Led Bar Left	



POS.	CODE	DESCRIPTION	NOTES
1	23000092	Flow Limiter 0,25 Isteam/Yousteam	
	23000093	Flow Limiter 0,35 Isteam/Yousteam	
	23000192	Flow Limiter 0,15 Isteam	
2	10701437	Air Inlet Valve Isteam/17	
3	38228016	Silicon Pipe D5X3	
4	34209124	Sheath Plaited Poliester UI94	
5	38228002	Silicone Hose D. 9X6X560	
6	10110420	Wiring Group/Water Ev.	
7	10705575	Assembly Elettr. -Venturi Isteam	
8	10043067	Pipe 8X6X210 F3/8-F3/8 2-3-4Gr.	
9	23000091	Distance Steam Tap Body Isteam	
10	36990017	Steam Shroud Isteam	
11	23000098V	Isteam Sprayer	
12	10705350	Kit Isteam Long	250mm
13	10705980	Retrofit Kit Isteam Classe 9 Usb	
14	36404013	O-Ring Silicone 2031	
15	36230017	Duckbill Valve	

Code	No. table	Pos.
00001514	1001	6
10022520T	2003_02	13
10022530T	2003_02	13
10041053	2003_02	9
10042022	2000	4
10042032	2000	17
10042032	2013	21
10042034	2000	17
10042034	2013	21
10042052	2000	12
10042053	2000	12
10042127	2000	8
10042152	2013	23
10042196	2013	17
10042197	2013	17
10042238	2000	18
10042238	2013	22
10042239	2000	18
10042239	2013	22
10042241	2013	17
10042242	2013	17
10042243	2013	17
10042249	2013	17
10042250	2013	17
10042251	2013	17
10042252	2013	17
10042253	2013	17
10042254	2013	17
10043007	2000	40
10043017	2003_02	11
10043020	2003_02	11
10043028	2000	24
10043039	2000	26
10043044	2000	3
10043067	2000	15
10043067	4000	8
10043102	2000	5
10043130	2000	22
10043130	2013	4
10043139	2000	23
10043139	2013	2
10043151	2000	14
10043157	2000	22
10043157	2013	4
10043162	2000	23
10043162	2013	2
10043163	2000	23
10043163	2013	2
10043216	2013	13
10043217	2013	3
10043220	2013	6
10043249	2000	13
10044039	2000	31
10044053	2000	30
10044054	2000	28
10044061	2000	32
10044097	2013	27
10044098	2013	28
10046014	2000	11
10046015	2000	11
10046016	2000	11
10046083	2013	26
10046084	2013	26
10046085	2013	26
10049014	2007	1
10049112	2008	20
10051190	2004_1	1

Code	No. table	Pos.
10051213	2004	3
10060002	2008	11
10060002	2013	14
10060051	2000	27
10060051	2003_02	12
10060051	2013	8
10060147	2008	17
10060148	2008	5
10060181	2008	1
10060383	2000	33
10060383	2010	1
10060448	2000	7
10060466	2000	35
10060479	2000	9
10060525	2000	1
10060525	2013	11
10060533	2013	11
10060612	2004	24
10060612	2004_1	21
10060618	2004	24
10060618	2004_1	21
10071100	2004	27
10071118R	2004	18
10071118R	2004_1	3
10071137R	2004	16
10071137R	2004_1	2
10090002	1003	8
10090002	2004	11
10090002	2004_1	27
10110384	3000	1
10110390	3000	7
10110402	2000	34
10110402	2013	18
10110420	4000	6
10110427	1000	28
10110439	3000	4
10110440	3000	4
10110441	3000	5
10110442	3000	5
10110445	2000	34
10110445	2013	18
10110470	1001	6
10110655	3000	15
10110738	3000	19
10110739	3000	19
10110740	3000	19
10110744	3000	20
10110745	3000	20
10110752	3000	2
10110773	3000	8
10110865	3000	21
10110956	3000	12
10120019	3000	11
10700276	1000	1
10700277	1000	1
10700278	1000	1
10700331	1001	1
10700332	1001	1
10700983	3000	3
10700985	3000	8
10701167	1001	4
10701170	1001	3
10701239	2008	9
10701240	2008	18
10701244	2013	30
10701376	2003_02	13
10701377	2003_02	13

Code	No. table	Pos.
10701419	1001	5
10701437	4000	2
10701616	2004_1	21
10701621	2008	14
10705091	2004	28
10705091	2004_1	5
10705180	2008	15
10705350	4000	12
10705535	2004	26
10705535	2004_1	4
10705575	4000	7
10705681	1000	10
10705681	3000	22
10705682	1000	11
10705682	3000	23
10705683	3000	18
10705759	2000	21
10705759	2013	5
10705777	1001	3
10705778	1001	4
10705788	2013	5
10705980	4000	13
10706083	2000	6
10781163	1003	7
10781371	1000	15
10781372	1000	15
10905015	1000	7
10905016	1000	8
20112011	2004	2
20112211	2004_1	6
20121104	2010	4
20122653	2004	22
20123001	2000	39
20200053P	2004_1	17
20200054	2004	25
20200113	2007	5
20200182	2004	31
20200182	2004_1	16
20200183	2004_1	16
21100801	2004	17
21100801	2004_1	8
21102601	2004	19
21102601	2004_1	7
21300710	2004_1	22
23000042	1003	2
23000091	4000	9
23000092	4000	1
23000093	4000	1
23000098V	4000	11
23000192	4000	1
23000227	2004	20
23000227	2004_1	19
23000311	2004_1	18
23000359	2000	19
23000359	2013	12
23000413	2000	42
23000413	2007	8
23000413	2013	1
23125009	2000	29
23125009	2013	29
23125017	2000	29
23125017	2013	29
23125021	2000	29
23125021	2013	29
23212035	2008	26
23222035	2010	7
24902055	1001	1

Code	No. table	Pos.
24902056	1001	1
24902057	1001	1
25105007	2004	15
25105007	2004_1	11
25139001	2004	5
25139001	2004_1	14
26220005	2007	7
26220005	2008	4
26220005	2010	2
27120130	2000	2
27120130	2013	16
27350001	2000	16
27350001	2013	20
27400001	2008	13
27400002	2004	23
27400002	2004_1	20
32210001	2008	2
32239044	2008	7
32330971	1000	3
32330972	1000	4
32330973	1000	3
32331702	1000	14
32331703	1000	14
32331704	1000	14
32331706	1000	15
32331707	1000	15
32331708	1000	15
32331710	1000	13
32331711	1000	13
32331712	1000	13
32331714	1000	12
32331715	1000	12
32331716	1000	12
32331718	1003	4
32331719	1003	4
32331720	1003	4
32331722	1003	5
32331723	1003	5
32331724	1003	5
32331726	1000	5
32331727	1000	5
32331728	1000	5
32331730	1000	6
32331731	1000	6
32331732	1000	6
32331736	1000	16
32331737	1000	16
32331738	1000	16
32331747	1001	2
32331748	1001	2
32331749	1001	2
32332033	1000	16
32332034	1000	16
32332035	1000	16
32332150	1000	12
32332151	1000	12
32332152	1000	12
32551112	1001	6
33122002	1000	2
33122003	1000	2
33122004	1000	2
33323004	2003_02	16
33323006	2003_02	16
34011102	2003_02	1
34020014	2003_02	2
34021004	3000	12
34030971	3000	6

Code	No. table	Pos.
34040151	2004	10
34040151	2004_1	26
34040197	2013	5
34040198	2013	5
34049011	2000	21
34049011	2013	5
34049012	2000	21
34049012	2013	5
34070060	2000	20
34070060	2013	19
34070211	2000	41
34070211	2010	8
34150026	3000	14
34200097	2003_02	18
34200097	3000	17
34200269	3000	9
34200288	2000	25
34200288	2013	7
34200333	3000	13
34209124	4000	4
34300073	3000	16
34300074	3000	16
35002508	2003_02	10
35002509	2003_02	10
36220009	2007	4
36220009	2008	21
36230001	2008	8
36230017	4000	15
36301046	2004	4
36301046	2004_1	15
36301050	2008	25
36301105	2008	12
36322003	2003_02	4
36402003	2010	5
36402005	2004	8
36402005	2004_1	24
36404013	4000	14
36404026	1003	3
36404052	2013	23
36404058	2008	16
36930012	2003_02	17
36930016	2007	2
36930016	2008	23
36930017	2008	27
36990004	2008	24
36990017	4000	10
37030408	1003	10
37030509	1000	30
37040520	2004	7
37040520	2004_1	12
37040611	2004_1	18
37040821	2003_02	15
37040830	2004	1
37040830	2004_1	23
37060413	2004	9
37060413	2004_1	25
37154212	1000	29
37154212	1001	10
37154212	1003	9
37173015	1001	6
37430600	2010	3
37431600	2007	6
37431600	2008	3
37510700	2008	6
37521000	1003	6
38120262	1001	4
38120265	1001	7

Code	No. table	Pos.
38120501	1000	17
38120502	1000	18
38120503	1000	19
38120508	1001	9
38120511	1000	25
38120525	1003	1
38120541	1000	24
38120591	1000	20
38123568	1000	22
38123598	3000	10
38123665	2003_02	14
38123852	1000	27
38123856	1000	21
38123921	1000	23
38123946	2000	37
38123946	2013	9
38123947	2000	36
38123947	2013	10
38228002	2000	10
38228002	2013	15
38228002	2013	25
38228002	4000	5
38228003	2000	38
38228016	4000	3
38228066	2010	6
39110035	2008	10
39110038	2007	3
39110038	2008	22
40100005	2004_1	9
40100090	2004_1	10
40100106	2004	13
40100106	2004	13
40100106	2004_1	9
40100107	2004	14
40100107	2004	14
40100107	2004_1	10
40100107	2004_1	10
40100108	2004	14
40100108	2004_1	10
40200005	2004	6
40200005	2004_1	13
42200123	1000	26
42200135	1001	8
69000243	2003_02	8
69000730	2003_02	7
69000731	2003_02	7
69000734	2003_02	6
69000735	2003_02	6
69000993	2003_02	5
69140006	2013	24
69140008	2013	32
69140009	2013	31
69140010	2013	31
69140011	2013	31
69140013	2013	33
69140016	2013	34
69140018	2013	34
69140019	2013	31
69140047	2013	34
69140048	2013	34
80134961	2003_02	3



Headquarters, Production Plant and R&D Centers

Rancilio Group s.p.a.

Viale della Repubblica 40
20010 Villastanza di Parabiago
Milano - Italy
Tel +39 0331 408200
Fax +39 0331 551437
www.ranciliogroup.com
info@ranciliogroup.com

Egro Suisse AG

Bahnhofstrasse 66
5605 Dottikon, Switzerland
Tel. +41 (0)56 616 95 95
Fax +41 (0)56 616 95 97
www.egrocoffee.com
info@egrocoffee.com

Worldwide Branch Locations

SPAIN

RancilioGroup Espana, s.a.
Gran Via de Carlos III, 84 3ª
Edificio Trade
08028 Barcelona - Spain
Tel. +34 902 884 275
Tel. +34 934 923 414
Fax +34 934 965 701
www.ranciliogroup.com
info-es@ranciliogroup.com

PORTUGAL

Rancilio Group Portugal Lda
Estrada da Falagueira nº 68 E
2700-365 Amadora-Lisboa - Portugal
Tel. +351 21 019 10 91
Fax +351 21 019 10 91

Rua Nova do Seixo 1282
4465-706 Leça do Balio-Porto - Portugal
Tel. +351 22 010 14 19
Fax +351 22 010 14 19
www.ranciliogroup.com
info-pt@ranciliogroup.com

GERMANY

Rancilio Group Deutschland GmbH
Talstrasse 27
97990 Weikersheim - Germany
Ph. +49 7934 99 29 30
Fax +49 7934 99 29 330
www.ranciliogroup.de
info-de@ranciliogroup.com

SWITZERLAND

Egro Suisse AG
Bahnhofstrasse 66
5605 Dottikon - Switzerland
Tel. +41 (0)56 616 95 95
Fax +41 (0)56 616 95 97
www.egrosuisse.ch
info@egrosuisse.ch

USA/CANADA

Rancilio Group North America Inc.
1340 Internationale Parkway / Suite 200
Woodridge, IL 60517 - U.S.A.
Ph: +1 630 914 7900
Fax: +1 630 914 7901
Toll Free: +1 877 726 2454
www.ranciliogroup.com
info@ranciliogroupna.com

