



Document Set
Egro NEXT TOUCH COFFEE
Egro NEXT TOUCH COFFEE C



for more information / User manual
für zusätzliche Informationen / Bedienungsanleitung
Informations supplémentaires / Mode d'emploi

www.ranciliogroup.com

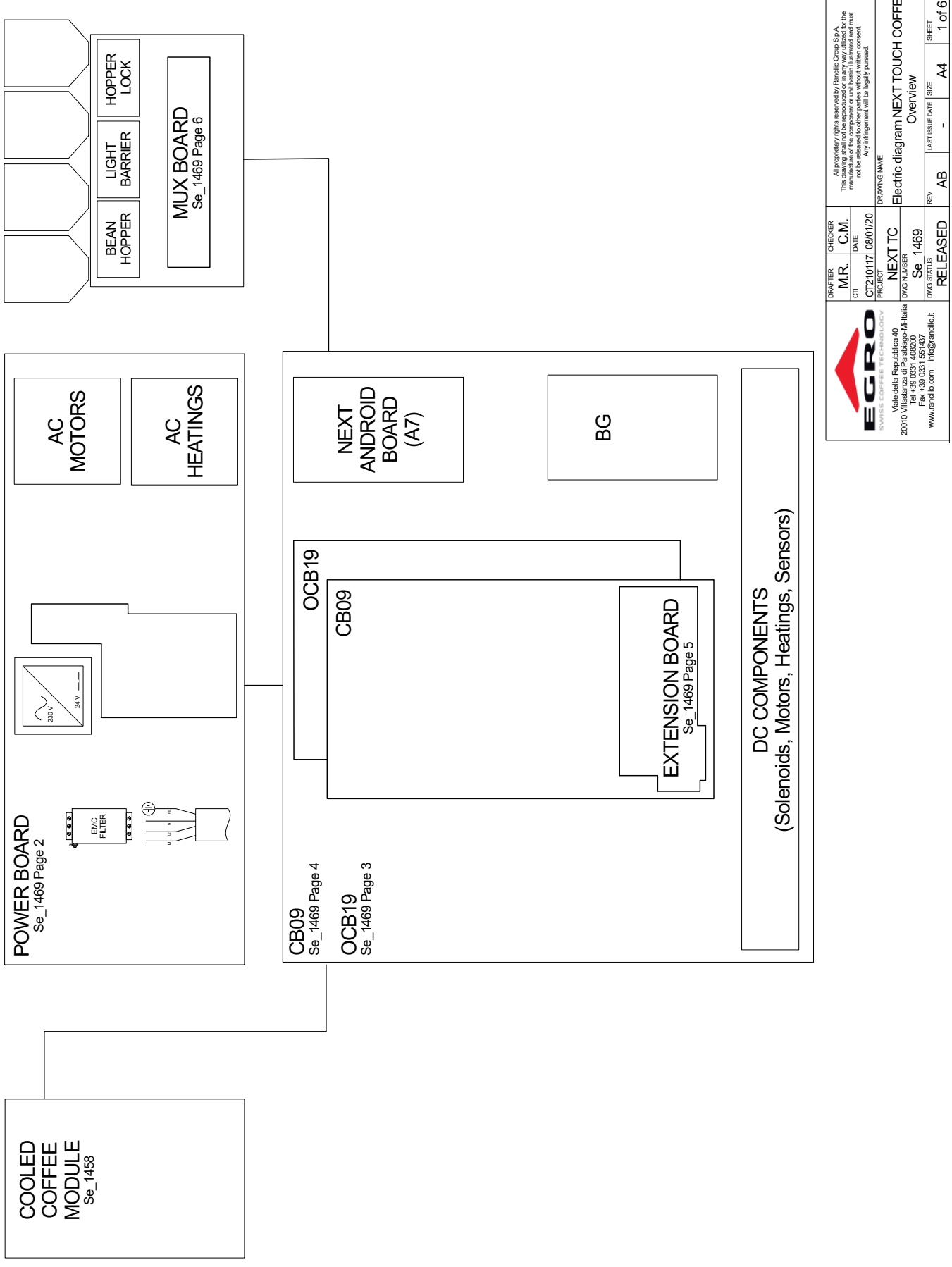
Legend / Legende / Legend


Module	English	Deutsch	Français
AS	Automated Spout	Automatischer Auslauf	Écoulement automatique
CCO	Cooled Coffee module	Cooled Coffee Module	Cooled Coffee Module
GUM	Grounds under machine	Satzschublade unter Maschine	Évacuation du marc sous la machine
SAG	Self-Adjusting Grinder	Selbstregulierende Mühle	Moulin à autorégulation
TR	Trolley	Trolley	Chariot

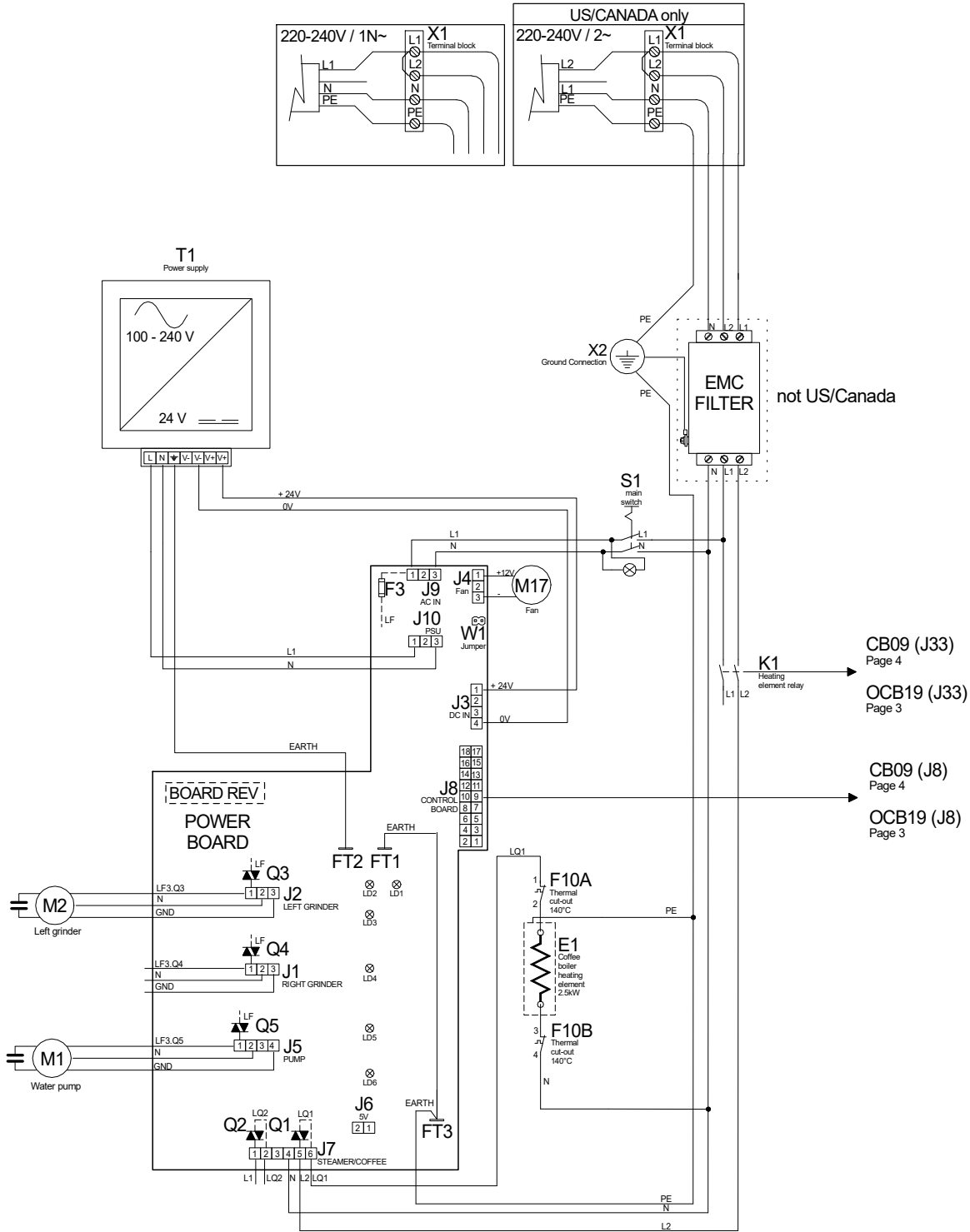
Short cut	English	Deutsch	Français
A7	Touch screen	Bildschirm	Ecran
B1	Temperature sensor coffee boiler	Temperatursensor Kaffeeboiler	Capteur de température chaudière à café
B8	AS Encoder	AS Encoder	AS Encodeur
B13	SAG Encoder	SAG Encoder	SAG Encoder
B15	Light barrier Bean hopper A	Lichtschanke Bohnenbehälter A	Barrière lumineuse trémie à grains A
B16	Light barrier Bean hopper B	Lichtschanke Bohnenbehälter B	Barrière lumineuse trémie à grains B
B17	Light barrier Bean hopper C	Lichtschanke Bohnenbehälter C	Barrière lumineuse trémie à grains C
B18	Light barrier Bean hopper D	Lichtschanke Bohnenbehälter D	Barrière lumineuse trémie à grains D
B19	Solenoid 1	Magnet 1	Aimant 1
B20	Solenoid 2	Magnet 2	Aimant 2
BK1	Brewing group	Brühgruppe	Groupe de distribution
CCI-CSI	Cash system interface	Zahlungssystem	Cash system interface
CH	Coin checker	Münzprüfer	Monnayeur
CR	Card reader	Kartenleser	Lecteur de carte
E1	Heating element Coffee boiler	Heizung Kaffeeboiler	Chauffage chaudière à café
E3	Heater brewing group	Heizung Brühgruppe	Chauffage groupe d'infusion
EMC	EMC filter	EMV Filter	Filtre EMC
F3	Fuse	Sicherung	Fusible
F10	Thermal fuse coffee boiler	Temperatursicherung Kaffeeboiler	Fusible thermique chaudière à café

F17	Thermal fuse upper spindle motor	Temperatursicherung Spindel-motor oben	Fusible thermique moteur piston supérieur
F18	Thermal fuse lower spindle motor	Temperatursicherung Spindel-motor unten	Fusible thermique moteur piston inférieur
K1	Heating relay	Relais Heizung	Relais chauffage
K3	TR pump relay	TR Pumpenrelais	TR Relais pompe
L3	Light module	Beleuchtung	Lumière
L4	Spot left	Spot Links	Spot gauche
L5	Spot right	Spot Rechts	Spot droit
M1	Water pump	Wasserpumpe	Pompe d'eau
M2	Grinder	Mühle	Moulin
M7	Upper gear motor	Spindelmotor oben	Moteur piston supérieur
M8	Lower gear motor	Spindelmotor unten	Moteur piston inférieur
M13	TR pump	TR Pumpe	TR pompe
M14	AS Motor	AS Motor	AS moteur
M16	SAG motor	SAG motor	SAG moteur
M17	Cooling fan	Ventilator	Ventilateur
M18	Feeder Bean hopper A	Antrieb Bohnenbehälter A	Traction pour trémie à grains A
M19	Feeder Bean hopper B	Antrieb Bohnenbehälter B	Traction pour trémie à grains B
M20	Feeder Bean hopper C	Antrieb Bohnenbehälter C	Traction pour trémie à grains C
M21	Feeder Bean hopper D	Antrieb Bohnenbehälter D	Traction pour trémie à grains D
P1	Flowmeter	Flowmeter	Débitmètre
P2	Coffee boiler manometer	Manometer Kaffeeboiler	Manomètre de la chaudière à café
PSV1	Safety valve Coffee boiler	Sicherheitsventil Kaffeeboiler	Valve de sécurité chauffage du café
Q1	Triac heating Coffee boiler	Triac Heizung Kaffeeboiler	Triac chaudière à café
Q2	Not used	Nicht benutzt	Non utilisé
Q3	Triac grinder (left)	Triac Mühle (links)	Triac moulin (gauche)
Q4	Not used	Nicht benutzt	Non utilisé
Q5	Triac Water pump	Triac Wasserpumpe	Triac pompe de l'eau
S1	Main switch	Hauptschalter	Commutateur central
S5	TR softener rinsing	TR Wasserfilter spülen	TR Rinçage de l'adoucisseur
S12A	TR External drawer switch	TR Schalter externe Satzschublade	TR Commutateur tiroir à marc externe
S12B	Reed contact ground drawer	Reedkontakt Satzschublade	Contact Reed tiroir à marc

S12C	GUM drawer switch	GUM Schalter Satzschublade	GUM Commutateur tiroir à marc
S14	Encoder upper spindle motor	Encoder Spindelmotor oben	Capteur rotation moteur supérieur
S15	Upper spindle motor end switch	Endschalter Spindelmotor oben	Commutateur de fin de course du moteur supérieur
S16	Encoder lower spindle motor	Encoder Spindelmotor unten	Capteur rotation moteur inférieur
S17	Lower spindle motor end switch	Spindelmotor unten Endschalter	Commutateur de fin de course du moteur inférieur
S22	TR waste water tank	TR Abwassertank	TR Cuve effluent
S23	TR water level sensor	TR Niveausensor Wasser	TR Capteur de niveau d'eau
S26	AS end switch	AS Endschalter	AS commutation finale
S28	SAG end switch	SAG Endschalter	SAG commutation finale
T1	Power supply	Stromversorgung	Alimentation
W1	Jumper communication	Jumper Kommunikation	Jumper communication
X1	Terminal coffee machine	Klemmen Kaffeemaschine	Bloc de jonction machine à café
X2	Ground connection	Erdung	Connexion châssis
X12	Terminal TR pump	Klemmen TR Pumpe	Borne TR pompe
X14	Terminal TR pump relay	Klemmen TR Pumpenrelais	Borne TR relais de la pompe
X15	Terminal TR	Klemmen TR	Borne TR
X15A	Terminal TR water / waste water	Klemmen TR Wasser / Abwasser	Borne TR eau / eaux usées
X15B	Terminal TR drawer switch	Klemmen TR Satzschublade	Borne TR tiroir a marc
Y1	Brewing valve	Brühventil	Soupape d'infusion
Y6	Bypass valve	Bypassventil	Soupape by-pass
Y9	Outlet valve	Auslaufventil	Soupape écoulement
Y16	Cold water tap	Wasserhahn	Robinet eau
Y17	Hot water valve	Heisswasserventil	Soupape d'eau chaude
Y40	CCO drain valve	CCO Ablaufventil	CCO soupape vidange
Y41	CCO switch valve	CCO Wechselventil	CCO soupape commutation
Y42	CCO vent valve	CCO Belüftungsventil	CCO soupape rechange
Y43	CCO source valve	CCO Einlassventil	CCO soupape entrée
Y44	CCO HE Bypass	CCO HE Bypass	CCO HE By-pass
Y45	CCO HE Block	CCO HE Block	CCO HE Block




 Viale della Repubblica 40 20010 Villastanza di Parabiago-M-Italia Tel. +39 039 0331 551437 Fax +39 039 0331 551437 www.randello.com info@randello.it		DRAFTER: M.R. C.M. CTI: CT2101171 08/01/20 PROJECT: NEXT TC DWG NUMBER: Se_1469 DWG STATUS: RELEASED		DRAWING NAME: Electric diagram NEXT TOUCH COFFEE Overview REV: AB LAST ISSUE DATE: - SIZE: A4 SHEET: 1 of 6	
<p style="font-size: small;"> All intellectual rights reserved. Reproduction of this drawing shall not be reproduced or in any way used for the manufacture of the component or unit, unless authorized and must not be used for other purposes without the express consent. Any infringement will be legally pursued. </p>					

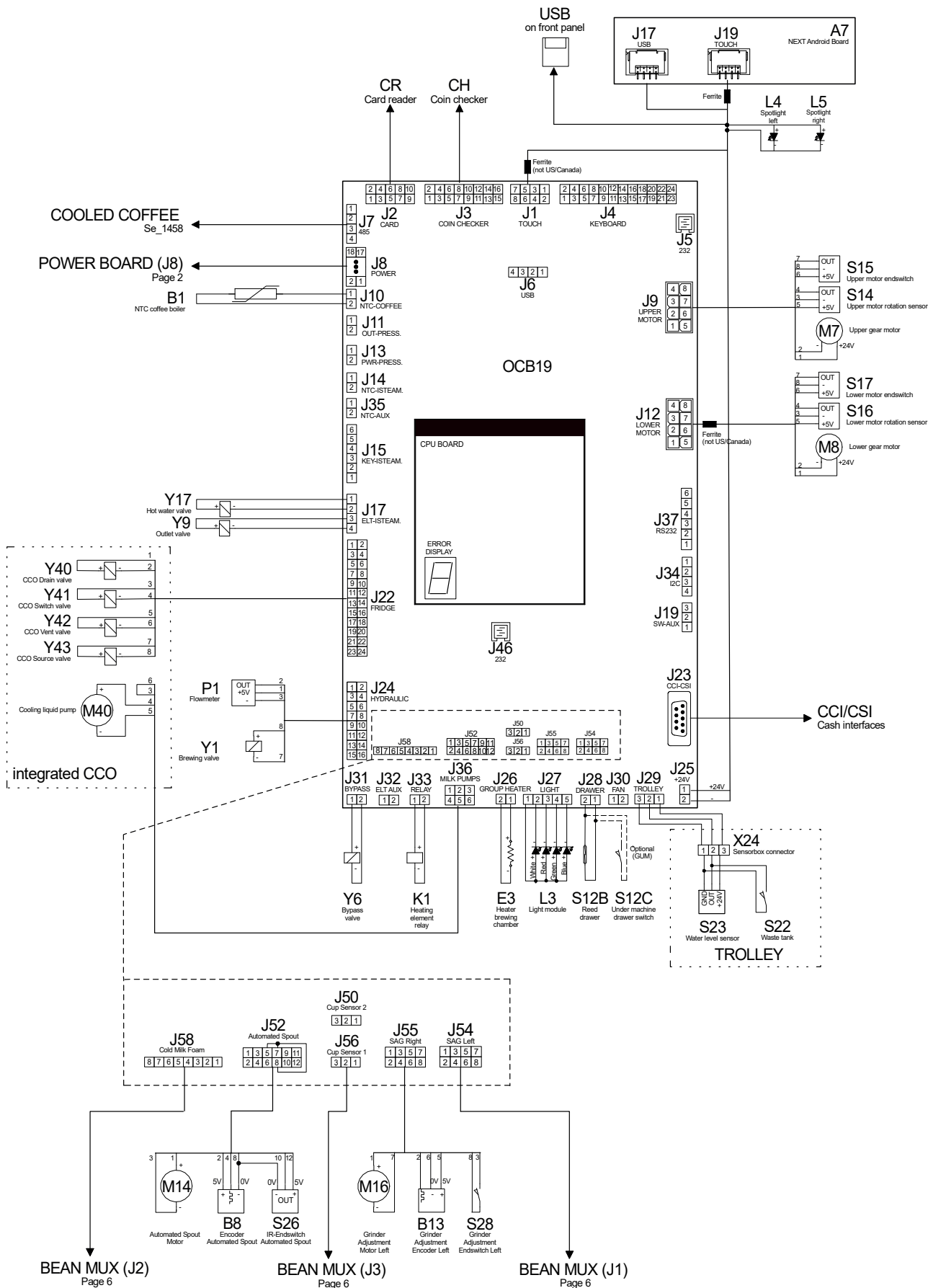


Status LED		
LD1	red	Grinder Left
LD2	green	Grinder Right
LD3	green	24V
LD4	red	Pump
LD5	red	Coffee Boiler
LD6	yellow	Steam Boiler

BOARD REV	
No.	W1
5845	-
5845A	SET

REV	CHANGE DESCRIPTION	DATE	DRAFTER	CTI
AC			
AB	Integrated CCO added	08.07.21	MR	CT210117
AA	Trolley function added	13.11.20	MR	

	DRAFTER	CHECKER	All proprietary rights reserved by Rancilio Group S.p.A. This drawing shall not be reproduced or in any way utilized for the manufacture of the component or unit herein illustrated and must not be released to other parties without written consent. Any infringement will be legally pursued.			
	M.R.	C.M.				
	CTI	DATE				
	CT210117	08.01.20				
	PROJECT	DRAWING NAME				
	NEXT TC	Electric diagram NEXT TOUCH COFFEE				
	DWG NUMBER	Powerboard (5845/5845A)				
	Se 1469					
	DWG STATUS	REV	LAST ISSUE DATE	SIZE	SHEET	
	RELEASED	AB	-	A4	2 of 6	



BEAN MUX (J2)
Page 6

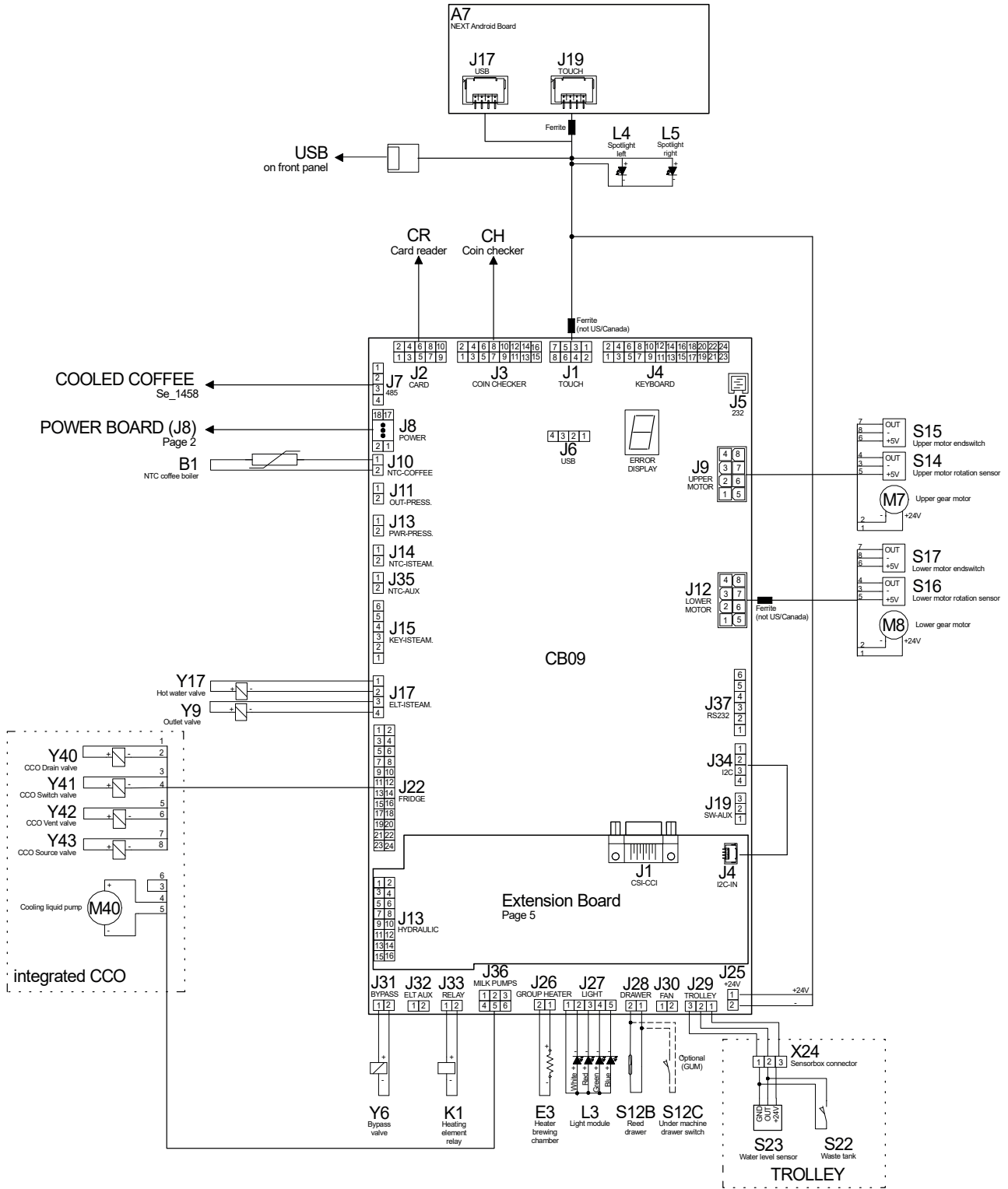
BEAN MUX (J3)
Page 6

BEAN MUX (J1)
Page 6

AC			
AB	Integrated CCO added	08.07.21	MR	CT210117
AA	Trolley function added	13.11.20	MR	
REV	CHANGE DESCRIPTION	DATE	DRAFTER	CTI

DRAFTER	CHECKER	All proprietary rights reserved by Rancilio Group S.p.A. This drawing shall not be reproduced or in any way utilized for the manufacture of the component or unit herein illustrated and must not be released to other parties without written consent. Any infringement will be legally pursued.
M.R.	C.M.	
CTI	DATE	
CT210117	08/01/20	
PROJECT	DRAWING NAME	
NEXT TC	Electric diagram NEXT TOUCH COFFEE	
DWG NUMBER	OCB19 (5976/1, 5977/1)	
SE 1469		
DWG STATUS	REV	LAST ISSUE DATE
RELEASED	AB	-
	SIZE	SHEET
	A4	3 of 6

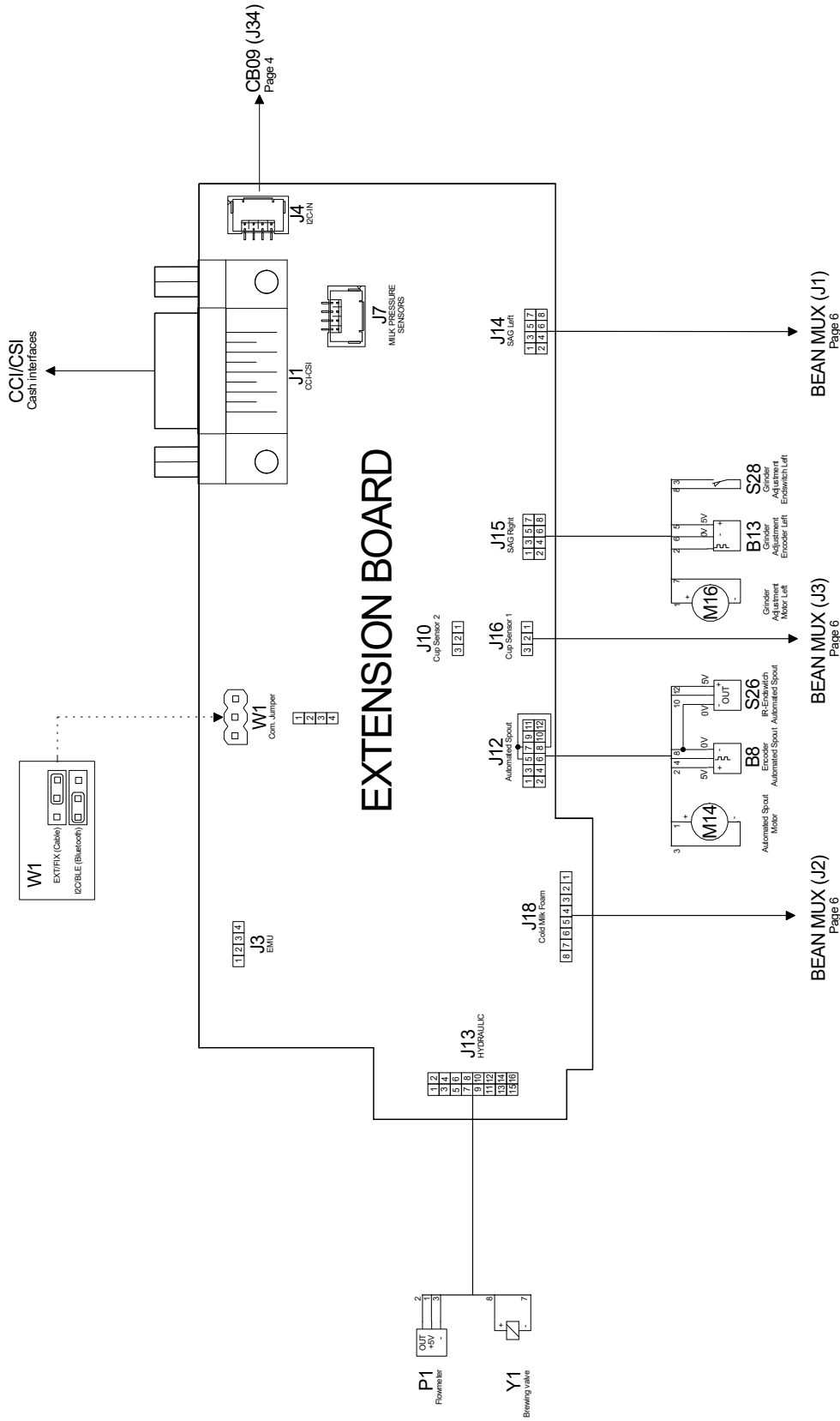




AC				
AB	Integrated CCO added	08.07.21	MR	CT210117
AA	Trolley function added	13.11.20	MR	
REV	CHANGE DESCRIPTION	DATE	DRAFTER	CTI



DRAFTER	CHECKER	All proprietary rights reserved by Rancilio Group S.p.A. This drawing shall not be reproduced or in any way utilized for the manufacture of the component or unit herein illustrated and must not be released to other parties without written consent. Any infringement will be legally pursued.
M.R.	C.M.	
CTI	DATE	
CT210117	08/01/20	
PROJECT	DRAWING NAME	
NEXT TC	Electric diagram NEXT TOUCH COFFEE	
DWG NUMBER	CB09 (4787B)	
SE 1469		
DWG STATUS	REV	LAST ISSUE DATE
RELEASED	AB	-
	SIZE	SHEET
	A4	4 of 6



BEAN MUX (J1)
Page 6

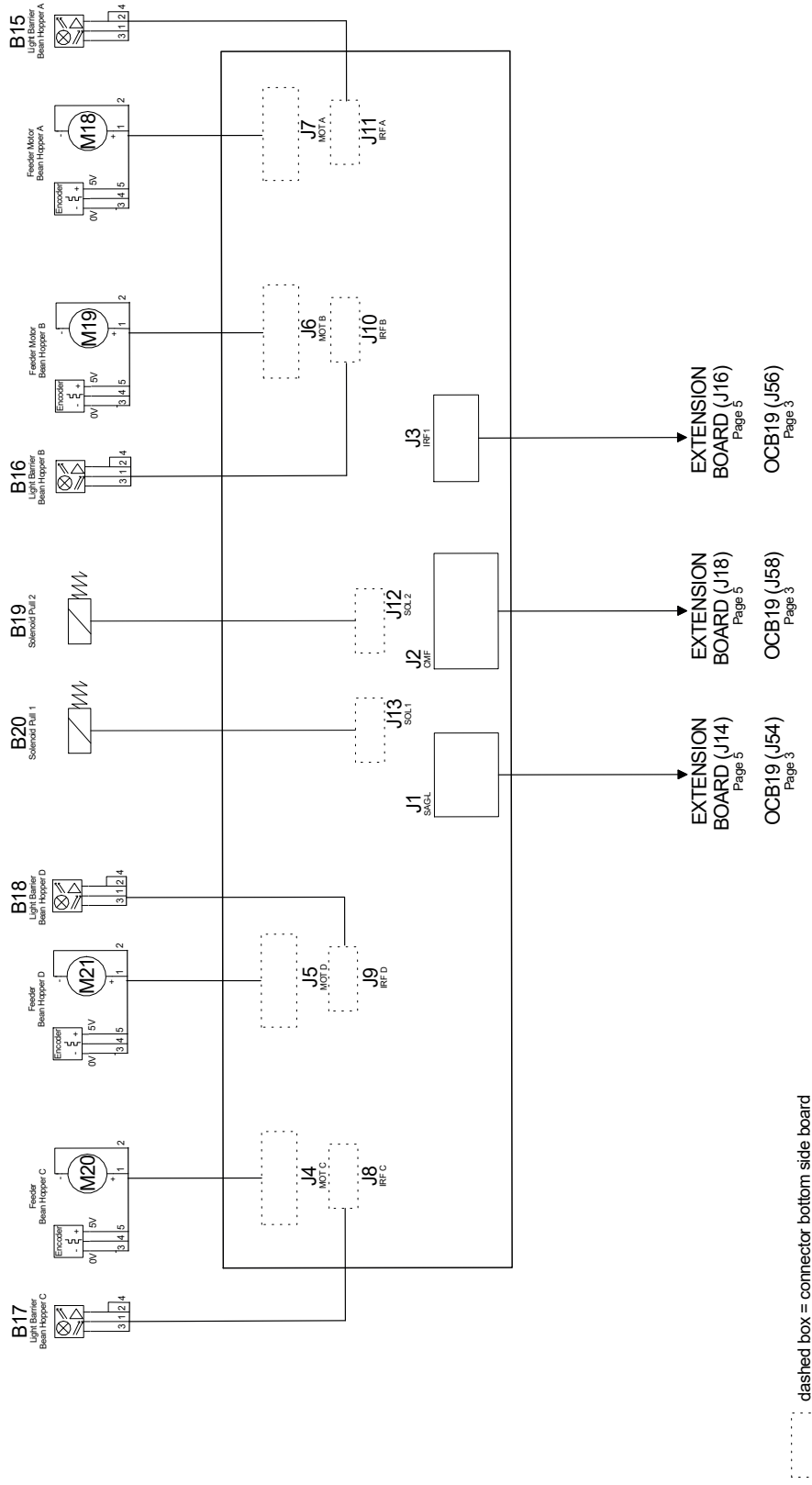
BEAN MUX (J3)
Page 6

BEAN MUX (J2)
Page 6


EGRO
SWISS COFFEE TECHNOLOGY

DRAFTER	M.R.	CHECKER	C.M.	DRAWING NAME
CTI	DATE	CTI	DATE	Electric diagram NEXT TOUCH COFFEE Extension Board (5846A/1)
PROJECT		DRAWING NUMBER		
NEXT TC		Se 1469		
DWG NUMBER		REV		
DWG STATUS		RELEASED	AB	LAST ISSUE DATE / SIZE
				- / A4
				SHEET
				5 of 6

All dimensions (with exception to Profile Chart Ss-A) shown in this drawing shall not be reproduced or in any way used for the manufacture of the component or unit herein illustrated and must not be used for any other purpose without the prior written consent of the manufacturer. Any infringement will be legally pursued.

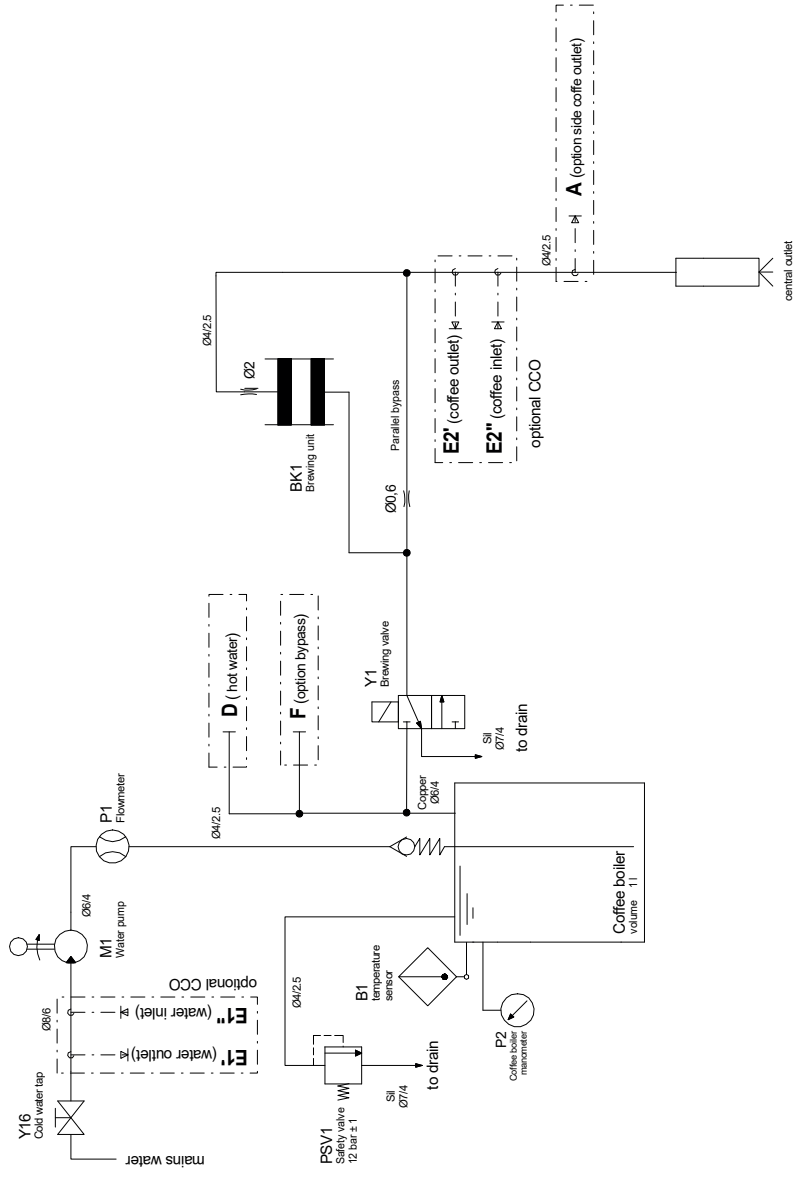


dashed box = connector bottom side board

		DRAFTER: M.R. CHECKER: C.M. DATE: 09/01/20	PROJECT: NEXTC DWG NUMBER: Se 1469 DWG STATUS: RELEASED	All proprietary rights reserved by Ebro Group S.p.A. This drawing and its content are the property of Ebro Group S.p.A. and its manufacturer of the component or unit it represents and must not be released to other parties without written consent. Any infringement will be highly punished.
Electric diagram NEXT TOUCH COFFEE Bean MUX		DRAWING NAME: NEXTC DWG NUMBER: Se 1469	REV: AB LAST ISSUE DATE: 08.01.20 SIZE: A4	SHEET: 6 of 6

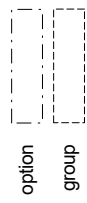
AC	Integrated OCO added	MR	08.07.21	CTI20117
AB		MR	13.11.20	
AA	Trolley function added	MR		
REV	CHANGE DESCRIPTION	DATE		DRAFTER
				CTI

REV	NEW	Prima emissione / First issue.
AA	AB	added/updated the option hot water, corrections of diagram
AC	AC	added the option Cold coffee module inside NTC
CT1	CT20/208	CT21/117
DRAFTER	bl	dome
DATE	11.11.2020	16.08.2021



Legende:

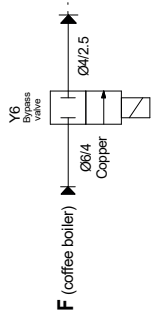
- A: option side coffee outlet
- D: option hot water
- E: option CCO
- F: option bypass



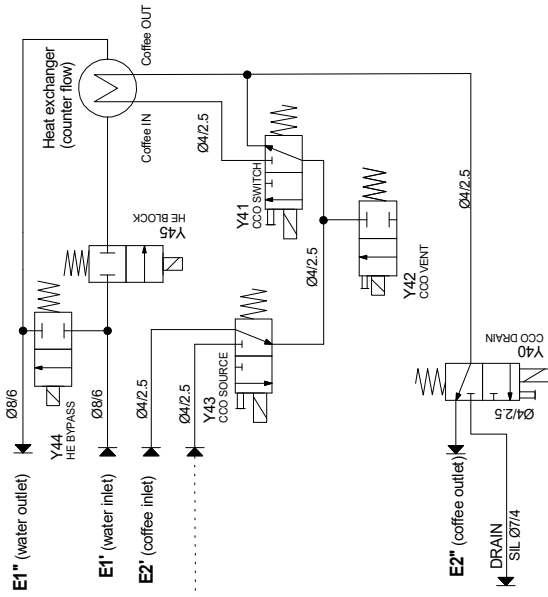
If not specified, hose typ FEP

		DRAFTER: gho CHECKER: mobu DATE: 09/05/19 PROJECT: NTC DIVISION: SI_134_pag1 DIV STATUS: RELEASED	DRAWING NAME: Hydraulic diagram NEXT Touch Coffee REV: AC LAST ISSUE DATE: 16.08.21 SIZE: A4 SHEET: 1 of 3
<small>All proprietary rights reserved by Racalco Group S.p.A. This drawing is the property of Racalco Group S.p.A. and its manufacture of the component or unit herein illustrated and must not be released to other parties without written consent. Any infringement will be legally pursued.</small>			

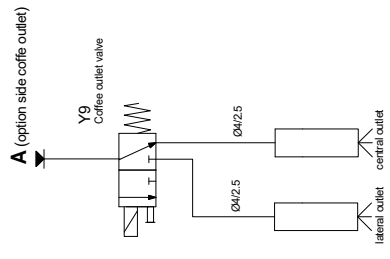
Bypass cooled coffee (machine side)



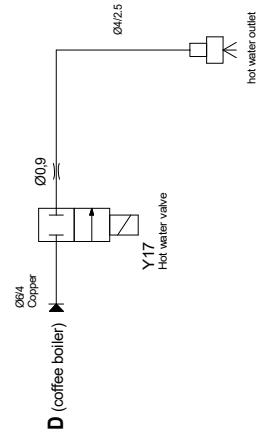
Cooled coffee module



Option side coffee outlet




Option hot water



option
group

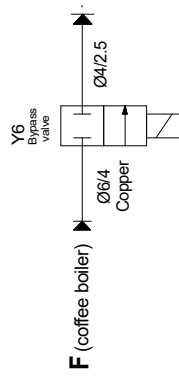
Legende:
see page 1 of si_134

If not specified, hose typ FEP

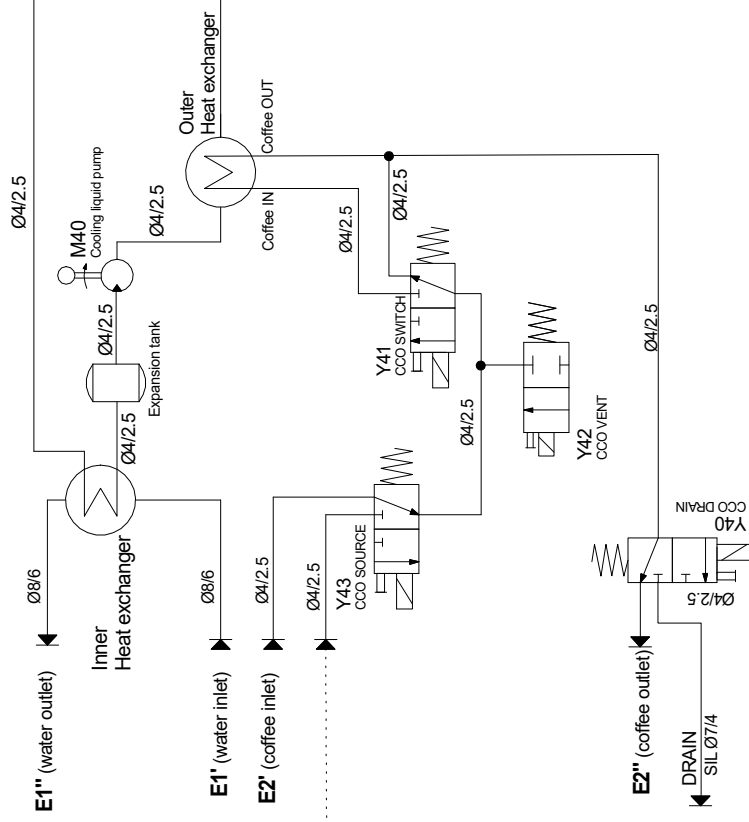
 EGRO SWISS COFFEE TECHNOLOGY		DRAWER: gho CUI: 006/20 PROJECT: NTC DWG NUMBER: SI_134_pag2 DWG STATUS: RELEASED	CHECKER: mobu DATE: 09/05/19 PROJECT: NTC DWG NUMBER: SI_134_pag2 DWG STATUS: RELEASED	DRAWING NAME: Hydraulic diagram NEXT Touch Coffee REV: AC LAST ISSUE DATE: 16.08.21 SIZE: A4 SHEET: 2 of 3
--	--	---	--	--

All proprietary rights reserved by Ramello Group Sp.A. The reproduction, distribution, sale, rental, use, or manufacture of the component or unit herein is prohibited and must not be released to other parties without written consent. For arrangement, refer to layout parameter.

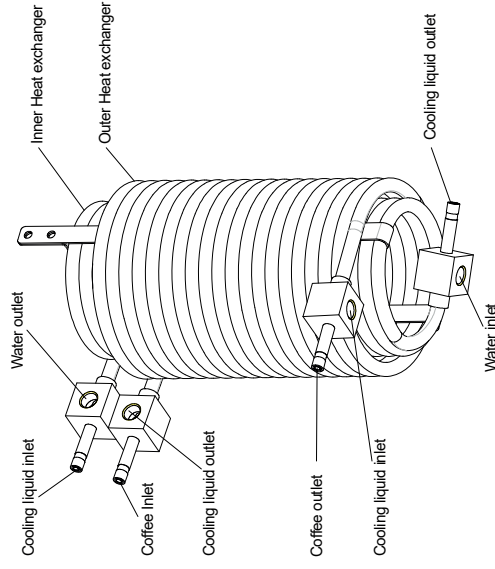
Bypass cooled coffee (machine side)



Cooled coffee inside NTC



Part Nr.: 33122028




option
group

Legende:

see page 1 of Si_134

If not specified, hose typ FEP

	DRAWER	domo	CHECKER	mobu	All proprietary rights reserved by Revolic Group S.p.A. The design and the manufacturing of the component or unit herein illustrated and must not be released to other parties without written consent. Any arrangement for the design product.
	DATE	006/20	DATE	09/05/19	
	PROJECT	NTC			DRAWING NAME
	DWG NUMBER	SI_134_pag3			Hydraulic diagram NEXT Touch Coffee
	DWG STATUS	RELEASED			REV
		AC	16.08.21	A4	SHEET 3 of 3



Contacts

Ansprechpartner

Contacts

Headquarters, Production Plant and R&D Centers

Rancilio Group S.p.A.

con socio unico

Viale della Repubblica 40
20015 Villastanza di Parabiago (MI) – Italy
Ph. +39 0331 408200
Fax +39 0331 551437
info@ranciliogroup.com

Egro Suisse AG

Bahnhofstrasse 66
5605 Dottikon – Switzerland
Ph. +41 (0)56 616 95 95
Fax +41 (0)56 616 95 97
info-ch@ranciliogroup.com

Worldwide Branch Locations

Spain

Rancilio Group Espana, SAU
C/Artes gráficas 1, 20A
PI Las Arenas
28320 Pinto, Madrid - Spain

Centro de negocios de Barcelona
Gran Vía de Carlos III, 84 3ª – Edificio Trade
08028 Barcelona – Spain
Ph. +34 914 682 061
info-es@ranciliogroup.com

Portugal

Rancilio Group Portugal Lda
Rua José Vicente Gonçalves n°14-Armaz.-2
Parque Industrial do Seixal
2840-048 Aldeia de Paio Pires-Seixal
Lisboa - Portugal
Ph. +351 21 493 52 58

Rancilio Group Portugal Lda
Rua Albino José Domingues n°683
4470-557 Maia
Porto - Portugal
Ph. + 351 22 490 39 77
info-pt@ranciliogroup.com

Germany

Rancilio Group Deutschland GmbH
Isenburg Park
Schleussnerstrasse 90
63263 Neu-Isenburg – Germany
Ph. +49 6102 79 90 30
Fax +49 6102 79 90 320
info-de@ranciliogroup.com

Switzerland

Egro Suisse AG
Bahnhofstrasse 66
5605 Dottikon – Switzerland
Ph. +41 (0)56 616 95 95
Fax +41 (0)56 616 95 97
info-ch@ranciliogroup.com

USA / Canada

Rancilio Group North America Inc.
11130 Katherine's Crossing Suite 800
Woodridge, IL 60517 – U.S.A.
Ph. +1 630 914 7900
Fax +1 630 914 7901
Toll Free: +1 877 726 2454
info@ranciliogroupna.com

 **RANCILIO**GROUP

an Ali Group Company



The Spirit of Excellence

www.ranciliogroup.com



facebook.com/RancilioGroup



[Rancilio Group Channel](#)